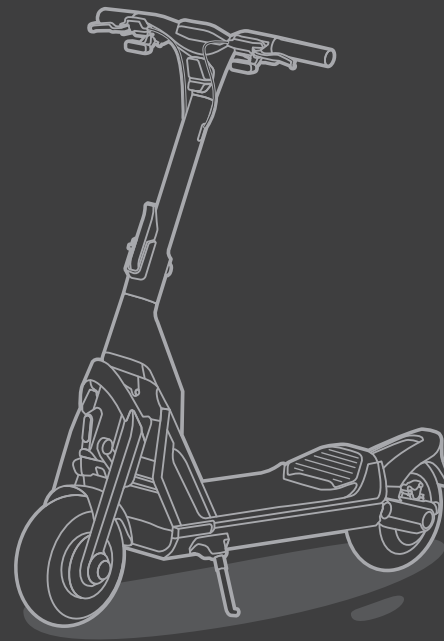




Zeskanuj kod QR, aby pobrać aplikację Segway-Ninebot.



Raccolta Carta

Producent zastrzega sobie prawo do wprowadzania zmian w produkcji, aktualizacji oprogramowania i aktualizacji tej instrukcji obsługi w dowolnym momencie.

Odwiedź stronę www.segway.com lub sprawdź aplikację Segway-Ninebot, aby pobrać najnowsze materiały użytkownika. Musisz zainstalować aplikację, aktywować swojego KickScootera i uzyskać najnowsze aktualizacje i zasady bezpieczeństwa.

Rysunek jest tylko poglądowy. Szczegóły znajdują się w faktycznym produkcie.

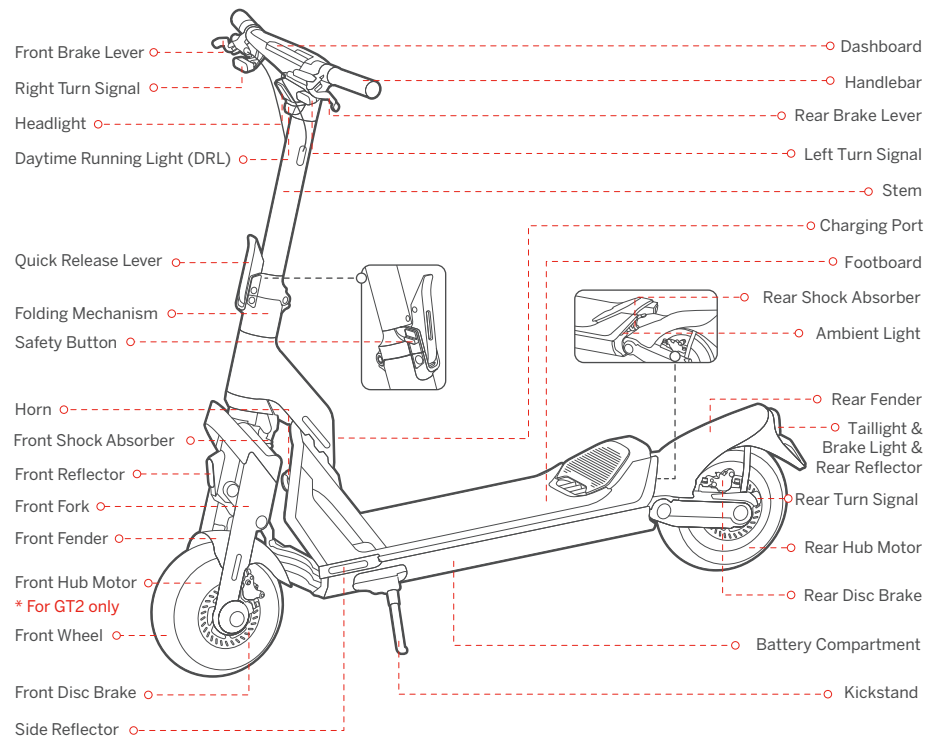
CE.00.0068.01-A

SEGWAY *GT*

Product Manual

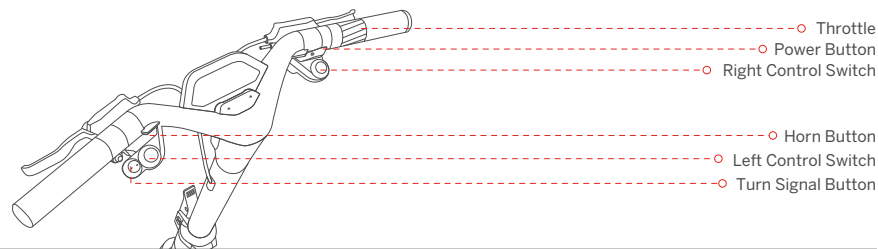
Original Instructions

Diagram



* For GT2 only

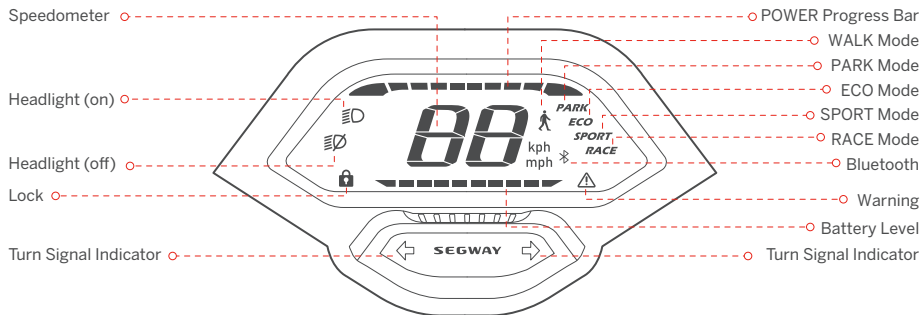
Handlebar Functions



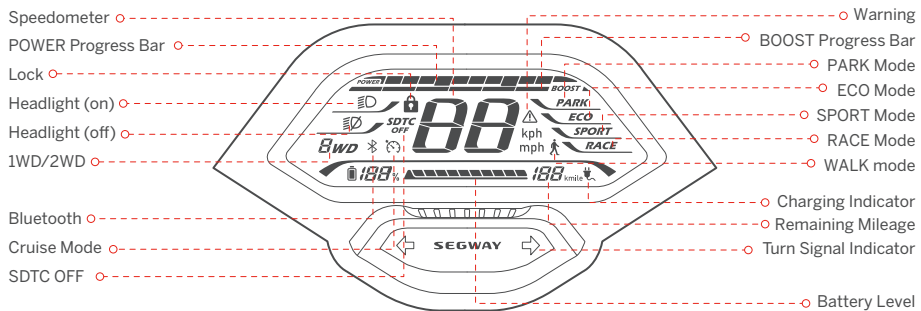
Name	Function	Operation method
Power Button	Power on/off	Press the Power Button to power on the scooter. Press and hold to power it off. Note: Only available when the scooter is unlocked.
	Wake up the screen	Press the Power Button to wake up the screen when the screen automatically dims.
	Back to the previous speed mode (for GT2 only)	When the scooter automatically enters PARK mode, press the Power Button to go back to the previous speed mode.
	Confirm Bluetooth password	While connecting to the scooter via the Segway-Ninebot app, press the Power Button to confirm Bluetooth password.
Left Control Switch	Turn on/off the headlight	Rotate the Left Control Switch clockwise/counterclockwise to turn off/on the headlight.
	Turn on/off the cruise mode (for GT2 only)	Press the Left Control Switch to turn on the cruise mode, and the scooter will cruise at a constant speed. Press again to turn it off.
	Switch between 1WD and 2WD (for GT2 only)	When the scooter is at a complete stop, press and hold the Left Control Switch to switch between 1WD and 2WD.
Right Control Switch	Mode switching	Rotate clockwise/counterclockwise to switch between speed modes.
	Activate the BOOST mode (for GT2 only)	1) Press the Right Control Switch to activate the BOOST mode. * In RACE mode only. 2) Press again or switch the speed mode to turn it off.
	Switch to WALK mode	For GT1: When the scooter is at a complete stop, press the Right Control Switch to switch to WALK mode. At this point, press the Right Control Switch again to go back to the previous speed mode. For GT2: When the scooter is at a complete stop, press and hold the Right Control Switch to switch to WALK mode. At this point, press and hold the Right Control Switch again to go back to the previous speed mode.
Throttle	Speed up	Twist the throttle to speed up.
Turn Signal Button	Turn on/off the left/right signal	Press the left/right side of the Turn Signal Button, the left/right turn signal will turn off after three blinks. Press and hold the left/right side of the Turn Signal Button, the left/right turn signal will keep blinking until it is released.
Horn Button	Turn on the horn	Press the Horn Button, the scooter will beep once.

Dashboard

GT1




GT2

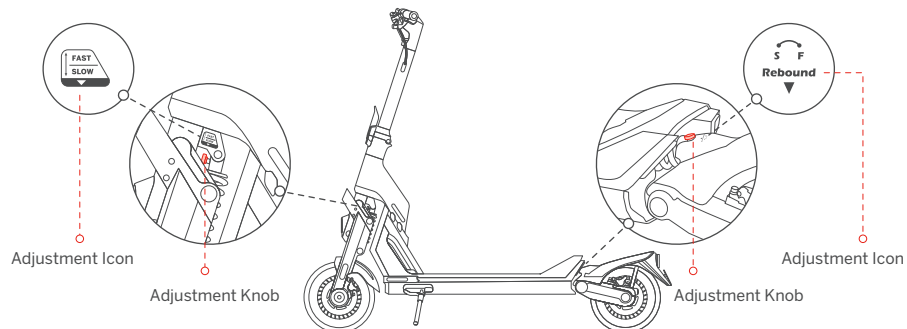


Symbol	Name	Meaning	Description
POWER	POWER Progress Bar	The symbol displays the motor output power of the scooter.	
BB	Speedometer	The symbol displays the current speed of the scooter.	
SDTC OFF	SDTC OFF (GT2)	The symbol indicates that the SDTC (Segway Dynamic Traction Control) feature is off.	1) With two-wheel drive, SDTC feature is auto-on in non-RACE modes. Note: This feature helps prevent wheel slippage and maintain stability when accelerating. 2) With one-wheel drive, SDTC feature is auto-off in RACE mode.
	Cruise Mode (GT2)	The symbol indicates that the Cruise mode is activated.	1) In ECO, SPORT or RACE mode, press the Left Control Switch to turn on the cruise mode when the speed ≥ 3.1 mph (5 km/h). Once turned on, the scooter will cruise at the current speed. 2) Turn off the cruise mode with the following methods: Method 1: Twist the throttle or squeeze brake levers. Method 2: Press the Left Control Switch. Method 3: Switch the speed mode. ⚠ DO NOT turn on the cruise mode in complex environments, bad weather or undesirable road conditions. Serious danger or injury may occur.
	Lock	When the icon lights up, it means the scooter is locked.	When the scooter is locked via the Segway-Ninebot app: 1) The screen will go dark in 3 seconds, at this point, press the Power Button to wake up the screen. 2) The scooter will sound the alarm with flashing lights when it is moved for 3 seconds. 3) The scooter will keep beeping when it is moved for 10 seconds, and if the scooter is moved again within 60 seconds, the beep will not stop. When the scooter is unlocked, it will automatically power off if there is no operation within 10 minutes. Note: Enable/Disable this feature via the Segway-Ninebot app.
BWD	1WD/2WD (GT2)	The icon 1WD indicates that the scooter is in the one-wheel drive mode. The icon 2WD indicates that the scooter is in the two-wheel drive mode.	
	Battery Level (GT2)	The symbol displays the remaining battery power in battery percentage and battery bar.	
	Battery Level (GT1)	The symbol displays the remaining battery power in battery bar.	
BOOST	BOOST Progress Bar (GT2)	The symbol displays the remaining available acceleration time of the BOOST mode.	1) Press the Right Control Switch to activate the BOOST mode. * In RACE mode only. 2) Twist the throttle to accelerate faster. 3) Press the Right Control Switch again or switch the speed mode to turn it off. ⚠ When the BOOST mode is activated, the scooter will accelerate faster. DO NOT apply this feature in complex environments, bad weather or undesirable road conditions. Serious danger or injury may occur.
	Bluetooth	The symbol indicates that the scooter is connected to the Segway-Ninebot app.	
	Warning	The symbol indicates that the scooter has detected an error. The error code will display on the dashboard. See page 8 for possible causes and solutions.	
	Remaining Mileage	The symbol displays the remaining mileage of the scooter.	
	Charging Indicator	The symbol indicates that the scooter is charging.	

Speed Modes Introduction

Mode/model	GT1 (Speed limit)	GT2 (Speed limit)	Switching methods
 (WALK)	3.7 mph (6 km/h)	3.7 mph (6 km/h)	1) When the scooter is at a complete stop, rotate the Right Control Switch. 2) For GT1: press the Right Control Switch. For GT2: press and hold the Right Control Switch. Note: In this mode, twist the throttle slightly to walk with the scooter at a low speed.
PARK	0 mph (0 km/h)	0 mph (0 km/h)	1) Rotate the Right Control Switch. 2) For GT2: When the scooter is in ECO, SPORT, or RACE mode, it will automatically enter PARK mode in the following circumstances: Park or stop for more than 5 seconds after riding. Park or stop for more than 20 seconds when not riding. * At this point, press the Power Button to go back to the previous mode.
ECO	15.5 mph (25 km/h)	24.9 mph (40 km/h)	Rotate the Right Control Switch.
SPORT	15.5 mph (25 km/h)	43.5 mph (70 km/h)	Rotate the Right Control Switch.
RACE	15.5 mph (25 km/h)	43.5 mph (70 km/h)	Rotate the Right Control Switch.

Damper Adjustment





S (Slow rebound): Increase rebound resistance by rotating the Adjustment Knob clockwise.

F (Fast rebound): Decrease rebound resistance by rotating the Adjustment Knob counterclockwise.

Note: The damper is set to the default position before leaving the factory. Please follow the steps above to adjust it according to your riding habits.

Specifications

	Item	Parameter	
Product	Name	Segway SuperScooter GT1	Segway SuperScooter GT2
	Model	GT1E	GT2P
	Length × Width × Height	Approx. 58.5 × 25.8 × 51.5 in (1485 × 656 × 1308 mm)	
	Folded: Length × Width × Height	Approx. 58.5 × 25.8 × 33.9 in (1485 × 656 × 860 mm)	
Rider	Net Weight	Approx. 47.6 kg (105 lbs)	Approx. 52.6 kg (116 lbs)
	Max. Payload	150 kg (331 lbs)	
	Recommended Age	14–60 years old	
	Required Height	3'11"–6'6" (120–200 cm)	
Machine	Wheelbase	45.2 in (1147 mm)	
	Ground Clearance	5.5 in (140 mm)	
	Drive System	1WD (One-wheel drive)	2WD (Two-wheel drive)
	Max. Speed	Approx. 15.5 mph (25 km/h)	Approx. 43.5 mph (70 km/h)
	Theoretical Range ^[1]	Approx. 43.5 miles (70 km)	Approx. 55.9 miles (90 km)
	Typical Range ^[2]	N/A	Approx. 37.3 miles (60 km)
	Max. Slope	Approx. 23%	Approx. 30%
	Traversable Terrain	Asphalt/flat pavement; obstacles < 1.2 in (3 cm); gaps < 1.2 in (3 cm)	
	Operating Temperature	-10 to 40°C (14 to 104°F)	
	Storage Temperature	-20 to 45°C (-4 to 113°F)	
	IP Rating	IPX4	
	Duration of Charging (single) ^[3]	Approx. 12 h	Approx. 16 h
	Duration of Charging (dual) ^[3]	Approx. 6 h	Approx. 8 h
Battery	Model	NDAF5020A	NDAF5030A
	Nominal Voltage	50.4 V 	
	Max. Charging Voltage	58.8 V 	
	Nominal Energy	1008 Wh	1512 Wh
	Nominal Capacity	20 Ah	30 Ah
	Charging Ambient Temperature	0 to 40°C (32 to 104°F)	
	Battery Management System	Over-heating, short circuit, over-current, over-discharge and over-charge protection	
Motor	Motor Type	Air cooled hub motor	
	Nominal Power	0.5 kW, 500 W	1.5 kW*2, 1500 W*2
	Max. Power	1.5 kW, 1500 W	3 kW*2, 3000 W*2

	Item	Parameter
Charger	Model	NBW58D802D0D
	Input Voltage	100–240 V~
	Max. Output Voltage	58.8 V $\overline{=}$
	Output Power	0.1 kW, 115.6 W
	Rated Output	57.8 V $\overline{=}$ 2.0 A
Tire	Type	11-inch Self-sealing tubeless tires
	Tire Pressure	32 psi
	Material	Rubber
Others	Speed Modes	WALK mode, PARK mode, ECO mode, SPORT mode and RACE mode
	Suspension System	Front and rear spring suspension
		Front and rear adjustable damper
Brake System	Front & Rear disc brakes	
Bluetooth	Frequency Band(s)	2.4000–2.4835 GHz
	Max.RF Power	20 mW

[1]: Theoretical Range: tested while riding with a full battery, 75 kg (165 lbs) load, 25°C (77°F), at the speed of 12.4 mph (20 km/h) on average on pavement.

[2]: Typical Range: tested while riding with a full battery, 75 kg (165 lbs) load, 25°C (77°F), at the speed of 24.9 mph (40 km/h) on average on pavement.

* Some of the factors that affect range include speed, number of starts and stops, ambient temperature, etc.

[3]: Single charging: rated input current up to 2 Amps when charging with single charger.

Dual charging: rated input current up to 4 Amps when charging with two chargers specified by the manufacturer.

Common Failures and Solutions

Error code	Possible causes	Solution	
0	Throttle abnormality	Please contact after-sales service or an authorized dealer.	
1	Dashboard communication failure		
2	Battery communication failure		
3	Turn signals abnormality		
4	Headlight abnormality		
5	Water detection in stem top		
6	Over-voltage protection of motor controller	Please try to charge the scooter.	
7	Under-voltage protection of battery/motor controller		
8	High scooter temperature		Please try to apply heat dissipation for the scooter.
9	High battery temperature		Please try to apply heat dissipation for the scooter.
10	Low battery temperature		Please try to warm up the scooter.
11	High front-drive-wheel temperature		Please try to apply heat dissipation for the front-drive-wheel.
12	Front-drive-wheel stall		Please restart the scooter and try again.
13	Front-drive-wheel current sensor error		Please contact after-sales service or an authorized dealer.
14	Front-drive-wheel over-current		Please restart the scooter and try again.
15	Front-drive-wheel motor phase failure		Please contact after-sales service or an authorized dealer.
16	High rear-drive-wheel temperature	Please try to apply heat dissipation for the rear-drive-wheel.	
17	Rear-drive-wheel stall	Please restart the scooter and try again.	
18	Rear-drive-wheel current sensor error	Please contact after-sales service or an authorized dealer.	
19	Rear-drive-wheel over-current	Please restart the scooter and try again.	
20	Rear-drive-wheel motor phase failure	Please contact after-sales service or an authorized dealer.	
21	Rear motor hall sensor error		
22	Front motor hall sensor error		

Certifications

This product is certified to ANSI/CAN/UL-2272 by CSA Group.
The battery complies with UN/DOT 38.3.
The battery complies with ANSI/CAN/UL-2271.

European Union Compliance Statement

Information on Disposal for Users of Waste Electrical & Electronic Equipment



This symbol on the product or on its packaging indicates that used electrical and electronic products should not be mixed with unsorted municipal waste. For proper treatment, it is your responsibility to dispose of your waste equipment by arranging to return it to designated collection points.

Disposing of this product correctly will help save valuable resources and prevent any potential negative effects on human health and the environment, which could otherwise arise from inappropriate waste handling.

Penalties may be applicable for incorrect disposal of this waste, in accordance with your national legislation. Please contact your local authority for further details of your nearest designated collection point.

Battery recycling information for Users



This symbol means that batteries and accumulators, at their end-of-life, should not be mixed with unsorted municipal waste. Your participation is an important part of the effort to minimize the impact of batteries and accumulators on the environment and on human health. For proper recycling you can return this product or the batteries or accumulators it contains to your supplier or to a designated collection point.

Disposing of this product correctly will help save valuable resources and prevent any potential negative effects on human health and the environment, which could otherwise arise from inappropriate waste handling.

Penalties may be applicable for incorrect disposal of this waste, in accordance with your national legislation. there are separate collection systems for used batteries and accumulators.

Please, dispose of batteries and accumulators correctly at your local community waste collection/recycling center.

Radio Equipment Directive

Ninebot (Changzhou) Tech Co., Ltd. hereby declares that the product listed in this section comply with the essential requirements and other relevant provisions of the Radio Equipment Directive 2014/53/EU.

Restriction of the use of certain hazardous substances (RoHS) Directive

Ninebot (Changzhou) Tech Co., Ltd. hereby declares the whole product including parts (cables, cords, and so on) meets the requirements of RoHS Directive 2011/65/EU and amendment Commission Delegated Directive (EU) 2015/863 on the restriction of the use of certain hazardous substances in electrical and electronic equipment ("RoHS recast" or "RoHS 2.0").

Machinery Directive

Ninebot (Changzhou) Tech Co., Ltd. hereby declares that the product listed in this section comply with the essential requirements and other relevant provisions of the Machinery Directive 2006/42/EC.



EU Authorised Representative:

Segway-Ninebot EMEA

Dynamostraat 7, 1014 BN Amsterdam, The Netherlands.

Ninebot (Changzhou) Tech Co., Ltd. hereby declares that the product model: GT1E, GT2P comply with the essential requirements and other relevant provisions of the Radio Equipment Directive 2014/53/EU, the machinery directive 2006/42/EC, and the RoHS Directive 2011/65/EU and amendment Commission Delegated Directive (EU) 2015/863. The declaration of conformity can be viewed at the following address: <http://eu-en.segway.com/support-instructions>

UK Compliance Statement

Radio Equipment Regulations 2017

Ninebot (Changzhou) Tech Co., Ltd. hereby declares that the product listed in this section comply with the essential requirements and other relevant provisions of Radio Equipment Regulations 2017.

The Restriction of the Use of Certain Hazardous Substances in Electrical and Electronic Equipment Regulations 2012

Ninebot (Changzhou) Tech Co., Ltd. hereby declares the whole product including parts (cables, cords, and so on) meets the requirements of The Restriction of the Use of Certain Hazardous Substances in Electrical and Electronic Equipment Regulations 2012.

Supply of Machinery (Safety) Regulations 2008

Ninebot (Changzhou) Tech Co., Ltd. hereby declares that the product listed in this section comply with the essential requirements and other relevant provisions of The Safety of Supply of Machinery (Safety) Regulations 2008.



UK Authorised Representative:

UKCA Experts Ltd.

Dept 302, 43 Owston Road Carcroft, Doncaster, DN6 8DA, United Kingdom

Ninebot (Changzhou) Tech Co., Ltd. hereby declares that the product model: GT1E, GT2P comply with the essential requirements and other relevant provisions of the Radio Equipment Regulations 2017, Supply of Machinery (Safety) Regulations 2008 and the Restriction of the Use of Certain Hazardous Substances in Electrical and Electronic Equipment Regulations 2012.

The declaration of conformity can be viewed at the following address: www.segway.com

Trademark

Segway, Segway GT, Segway-Ninebot and the Rider Design are the trademarks of Segway Inc.; Android is the trademark of Google Inc., App Store is a service mark of Apple Inc. The respective owners reserve the rights of their trademarks and copyrights, etc. referred to in this manual.

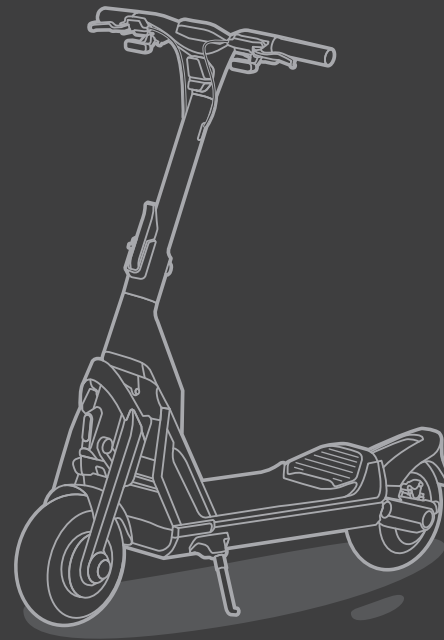
We have attempted to include descriptions and instructions for all the functions of the SuperScooter at the time of printing. However, due to constant improvement of product features and changes of design, your SuperScooter may differ slightly from the one shown in this document. Scan the QR Code on the cover of this manual, or visit the Apple app Store (iOS) or the Google Play Store (Android) to download and install the Segway-Ninebot App. Please note that there are multiple Segway and Ninebot models with different functions, and some of the functions mentioned herein may not be applicable to your unit. The manufacturer reserves the right to change the design and functionality of the SuperScooter product and documentation without prior notice.

© 2022 Ninebot (Beijing) Tech Co. Ltd. All rights reserved.

(※The Segway-Ninebot App can support SuperScooter with built-in Bluetooth)



Scan the QR code to download
the Segway-Ninebot app



The manufacturer reserves the right to make changes to the product, release firmware updates, and update this manual at any time.

Visit www.segway.com or check the Segway-Ninebot app to download the latest user materials. You must install the app, activate your scooter, and obtain the latest updates and safety instructions.

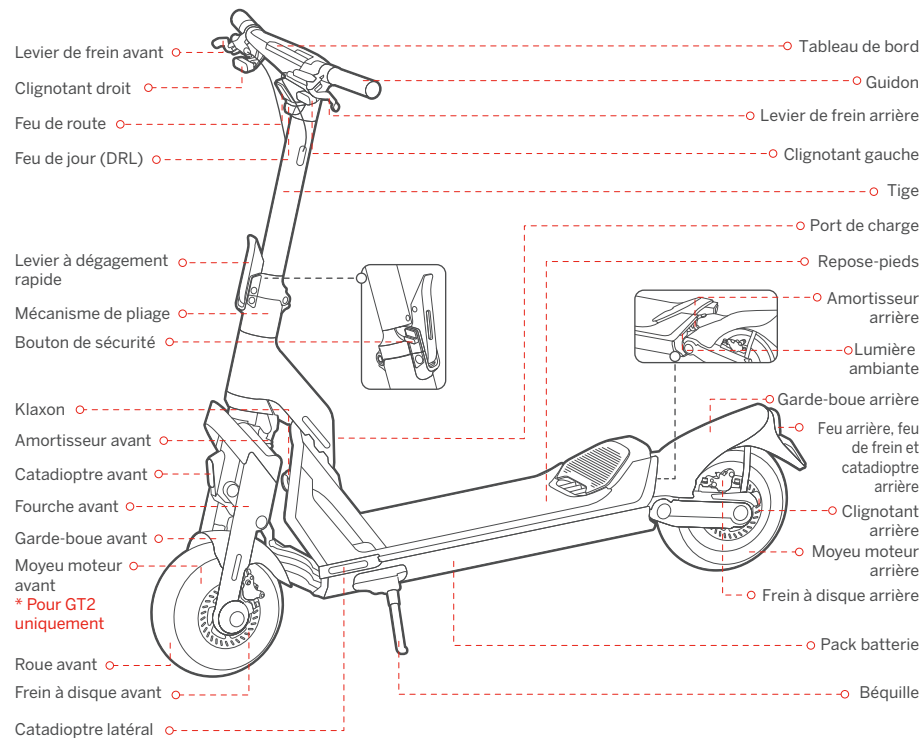
The pictures shown are for illustration purposes only. The actual product may vary.

SEGWAY *GT*

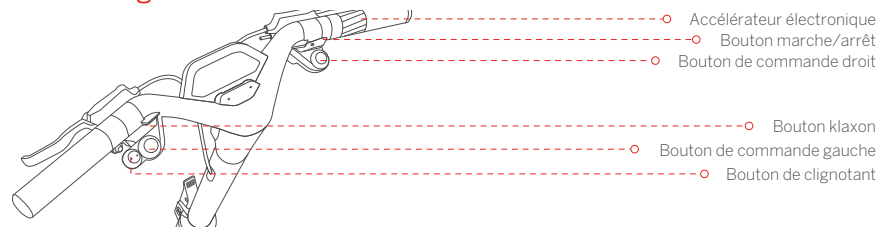
Manuel du produit

Traduction de la notice originale

Schéma



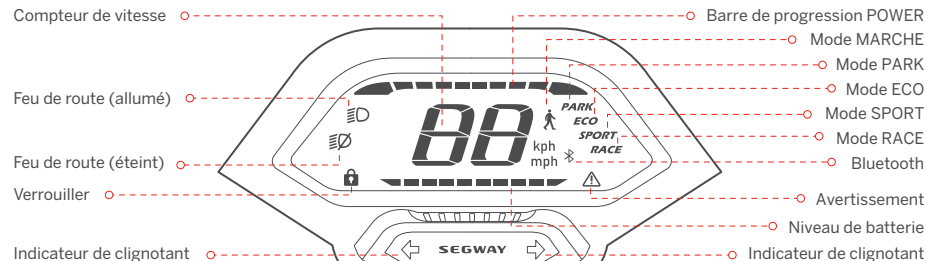
Fonctions du guidon



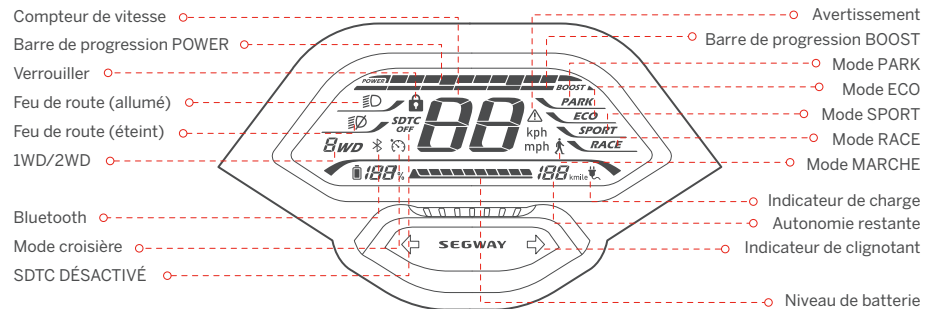
Nom	Fonction	Méthode de fonctionnement
Bouton marche/arrêt	Marche/arrêt	Appuyez sur le bouton marche/arrêt pour allumer le scooter. Appuyez et maintenez pour l'éteindre. Remarque: Uniquement disponible lorsque le scooter n'est pas verrouillé.
	Réveiller l'écran	Appuyez sur le bouton marche/arrêt pour réveiller l'écran lorsque l'écran s'assombrit automatiquement.
	Retour au mode de vitesse précédent	Lorsque le scooter passe automatiquement en mode PARK, appuyez sur le bouton marche/arrêt pour revenir au mode de vitesse précédent.
Bouton de commande gauche	Confirmer le mot de passe Bluetooth (Pour GT2 uniquement)	Lors de la connexion au scooter via l'application Segway-Ninebot, appuyez sur le bouton marche/arrêt pour confirmer le mot de passe Bluetooth.
	Allumer/éteindre le feu de route	Tournez le bouton de commande gauche dans le sens horaire/antihoraire pour éteindre/allumer le feu de route.
	Activer/désactiver le mode croisière (Pour GT2 uniquement)	Appuyez sur le bouton de commande gauche pour activer le mode Croisière et le scooter roulera à une vitesse constante. Appuyez à nouveau pour l'éteindre.
Bouton de commande droit	Basculer entre 1WD et 2WD (Pour GT2 uniquement)	Lorsque le scooter est à l'arrêt complet, maintenez enfoncé le bouton de commande gauche pour basculer entre 1WD et 2WD.
	Changement de mode	Tournez dans le sens horaire/antihoraire pour basculer entre les modes de vitesse.
	Activer le mode BOOST (Pour GT2 uniquement)	1) Appuyez sur le bouton de commande droit pour activer le mode BOOST. * En mode RACE uniquement. 2) Appuyez à nouveau sur ou changez le mode de vitesse pour l'éteindre.
Bouton de commande droit	Passer en mode MARCHÉ	Pour GT1 : Lorsque le scooter est à l'arrêt complet, appuyez sur le bouton de commande droit pour passer en mode WALK. À ce stade, appuyez à nouveau sur le bouton de commande droit pour revenir au mode de vitesse précédent. Pour GT2 : Lorsque le scooter est à l'arrêt complet, maintenez enfoncé le bouton de commande droit pour passer en mode WALK. À ce stade, appuyez à nouveau sur le bouton de commande droit et maintenez-le enfoncé pour revenir au mode de vitesse précédent.
	Accélérateur électronique	Accélérer
Bouton de clignotant	Activer/désactiver le clignotant gauche/droite	Appuyez sur le côté gauche/droit du bouton des clignotants, le clignotant gauche/droit s'éteindra après trois clignotements. Appuyez et maintenez le côté gauche/droit du bouton de clignotant, le clignotant gauche/droit continuera à clignoter jusqu'à ce qu'il soit relâché.
Bouton klaxon	Allumer le klaxon	Appuyez sur le bouton klaxon, le scooter émettra un bip.

Tableau de bord

GT1



GT2

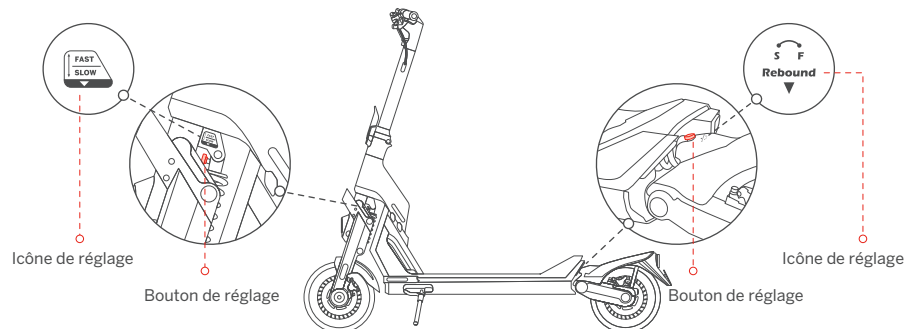


Symbole	Nom	Signification	Description
POWER	Barre de progression POWER	Le symbole affiche la puissance de sortie du moteur du scooter.	
BB	Compteur de vitesse	Le symbole affiche la vitesse actuelle du scooter.	
SDTC OFF	SDTC DÉSACTIVÉ (GT2)	Le symbole indique que la fonctionnalité SDTC (Segway Dynamic Traction Control) est désactivée.	1) Avec les deux roues motrices, la fonction SDTC est activée automatiquement dans les modes autres que RACE. Remarque : cette fonction permet d'éviter le patinage des roues et de maintenir la stabilité lors de l'accélération. 2) Avec une roue motrice, la fonction SDTC s'éteint automatiquement en mode RACE.
	Mode croisière (GT2)	Le symbole indique que le mode Croisière est activé.	1) En mode ECO, SPORT ou RACE, appuyez sur le bouton de commande gauche pour activer le mode Croisière lorsque la vitesse est ≥ 5 km/h (3.1 mph). Une fois allumé, le scooter roulera à la vitesse actuelle. 2) Désactivez le mode croisière avec les méthodes suivantes: Méthode 1: Tournez l'accélérateur électronique ou serrez les leviers de frein. Méthode 2: Appuyez sur le bouton de commande gauche. Méthode 3: Changez le mode de vitesse. ⚠ N'activez PAS le mode croisière dans des environnements complexes, des intempéries ou des conditions routières indésirables. Un grave danger ou des blessures peuvent survenir.
	Verrouiller	Lorsque l'icône s'allume, cela signifie que le scooter est verrouillé.	Lorsque le scooter est verrouillé via l'application Segway-Ninebot: 1) L'écran deviendra sombre après 3 secondes, à ce stade, appuyez sur le bouton marche/arrêt pour réveiller l'écran. 2) Le scooter sonnera l'alarme avec des lumières clignotantes lorsqu'il est déplacé pendant 3 secondes. 3) Le scooter continuera à émettre un bip lorsqu'il est déplacé pendant 10 secondes, et si le scooter est à nouveau déplacé dans les 60 secondes, le bip ne s'arrêtera pas. Lorsque le scooter est déverrouillé, il s'éteindra automatiquement s'il n'y a aucune opération dans les 10 minutes. Remarque : Activez/désactivez cette fonctionnalité via l'application Segway-Ninebot.
1WD	1WD/2WD (GT2)	L'icône 1WD indique que le scooter est en mode une roue motrice. L'icône 2WD indique que le scooter est en mode deux roues motrices.	
	Niveau de batterie (GT2)	Le symbole affiche le pourcentage restant de la batterie en pourcentage de batterie et en barres de batterie.	
	Niveau de batterie (GT1)	Le symbole affiche la charge restante de la batterie dans la barre de batterie.	
BOOST	Barre de progression BOOST (GT2)	Le symbole affiche le temps d'accélération disponible restant du mode BOOST.	1) Appuyez sur le bouton de commande droit pour activer le mode BOOST. * En mode RACE uniquement. 2) Tournez la manette des gaz pour accélérer plus vite. 3) Appuyez à nouveau sur l'interrupteur de commande droit ou changez le mode de vitesse pour l'éteindre. ⚠ Lorsque le mode BOOST est activé, le scooter accélère plus rapidement. N'appliquez PAS cette fonctionnalité dans des environnements complexes, des intempéries ou des conditions routières indésirables. Un grave danger ou des blessures peuvent survenir.
	Bluetooth	Le symbole indique que le scooter est connecté à l'application Segway-Ninebot.	
	Avertissement	Le symbole indique que le scooter a détecté une erreur. Le code d'erreur s'affichera sur le tableau de bord. Voir page 8 pour les causes possibles et les solutions.	
188 <small>km</small>	Kilométrage restant	Le symbole affiche l'autonomie restante du scooter.	
	Indicateur de charge	Le symbole indique que le scooter est en charge.	

Présentation des modes de vitesse

Mode/modèle	GT1 (Limite de vitesse)	GT2 (Limite de vitesse)	Méthodes de commutation
 (MARCHÉ)	6 km/h (3,7 mi/h)	6 km/h (3,7 mi/h)	1) Lorsque le scooter est à l'arrêt complet, tournez le bouton de commande droit. 2) Pour GT1 : appuyez sur le bouton de commande droit. Pour GT2 : maintenez enfoncé le bouton de commande droit.
PARK	0 km/h (0 mi/h)	0 km/h (0 mi/h)	1) Tournez le bouton de commande droit. 2) Pour GT2 : lorsque le scooter est en mode ECO, SPORT ou RACE, le scooter entrera automatiquement en mode PARK dans les circonstances suivantes : Parquez-vous ou arrêtez-vous plus de 5 secondes après avoir roulé. Garez-vous ou arrêtez-vous pendant plus de 20 secondes lorsque vous ne roulez pas. * À ce stade, appuyez sur le bouton marche/arrêt pour revenir au mode précédent.
ECO	25 km/h (15,5 mi/h)	40 km/h (24,9 mi/h)	Tournez le bouton de commande droit.
SPORT	25 km/h (15,5 mi/h)	70 km/h (43,5 mi/h)	Tournez le bouton de commande droit.
RACE	25 km/h (15,5 mi/h)	70 km/h (43,5 mi/h)	Tournez le bouton de commande droit.

Ajustement de l'amortisseur



S (rebound lent) : augmentez la résistance au rebond en tournant le bouton de réglage dans le sens des aiguilles d'une montre.
F (rebound rapide) : diminuez la résistance au rebond en tournant le bouton de réglage dans le sens inverse des aiguilles d'une montre.
Remarque : l'amortisseur est réglé sur sa position par défaut avant de quitter l'usine. Veuillez suivre les étapes ci-dessus pour l'ajuster en fonction de vos habitudes de conduite.

Spécifications

	Élément	Paramètre		
Produit	Nom	Segway SuperScooter GT1	Segway SuperScooter GT2	
	Modèle	GT1E	GT2P	
	Longueur × Largeur × Hauteur	Environ 1485 × 656 × 1308 mm (58,5 × 25,8 × 51,5 po)		
	Plié: Longueur × Largeur × Hauteur	Environ 1485 × 656 × 860 mm (58,5 × 25,8 × 33,9 po)		
	Poids net	Environ 47,6 kg (105 livres)	Environ 52,6 kg (116 livres)	
Conducteur	Poids max.	150 kg (331 livres)		
	Âge recommandé	14 à 60 ans		
	Hauteur requise	120 - 200 cm (3' 11" - 6' 6")		
Machine	Empattement	1147 mm (45,2 po)		
	Garde au sol	140 mm (5,5 po)		
	Système de conduite	1WD (une roue motrice)	2WD (deux roues motrices)	
	Vitesse max.	Environ 25 km/h (15,5 mi/h)	Environ 70 km/h (43,5 mi/h)	
	Autonomie théorique ^[1]	Environ 70 km (43,5 miles)	Environ 90 km (55,9 miles)	
	Autonomie moyenne ^[2]	N/A	Environ 60 km (37,3 miles)	
	Pente max.	Environ 23 %	Environ 30 %	
	Terrain traversable	Asphalte/chaussée plate: obstacles < 3 cm (1,2 po); espaces < 3 cm (1,2 po)		
	Température de fonctionnement	-10 à 40°C (14 à 104°F)		
	Température de stockage	-20 à 45°C (-4 à 113°F)		
	Protection IP	IPX4		
	Durée de charge (simple) ^[3]	Environ 12 h	Environ 16 h	
	Durée de charge (double) ^[3]	Environ 6 h	Environ 8 h	
Batterie	Modèle	NDAF5020A	NDAF5030A	
	Tension nominale	50,4 V		
	Tension de charge max.	58,8 V		
	Énergie nominale	1008 Wh	1512 Wh	
	Capacité nominale	20 Ah	30 Ah	
	Température ambiante de charge	0 à 40°C (32 à 104°F)		
	Système de gestion de batterie	Protection surchauffe, court-circuit, surintensité et surdécharge et surcharge		
Moteur	Type de moteur	Moyeu moteur refroidi par air		
	Puissance nominale	0,5 kW, 500 W	1,5 kW*2, 1500 W*2	
	Puissance max.	1,5 kW, 1500 W	3 kW*2, 3000 W*2	

	Élément	Paramètre
Chargeur	Modèle	NBW58D802D0D
	Tension d'entrée	100–240 V-
	Tension de sortie max.	58.8V $\overline{=}$
	Puissance de sortie	0.1kW, 115,6W
	Puissance nominale	57.8V $\overline{=}$ 2.0A
Pneu	Type	Pneus tubeless auto-obturants de 11 pouces
	Pression des pneus	32psi
	Matériau	Caoutchouc
Autres	Modes de vitesse	Mode MARCHÉ, mode PARK, mode ECO, mode SPORT et mode RACE
	Système de suspension	Suspension avant et arrière à ressort
		Amortisseur réglable avant et arrière
Système de freinage	Frein à disque avant et frein à disque arrière	
Bluetooth	Bandes de fréquence (s)	2.4000–2.4835 GHz
	Max. Puissance RF	20 mW

[1]: autonomie théorique: testé en roulant avec une batterie pleine, charge de 75kg (165 lbs), 25°C (77°F), à la vitesse moyenne de 20 km/h (12,4 mph) sur chaussée.

[2]: autonomie moyenne: testé en roulant avec une batterie pleine, charge de 75kg (165 lbs), 25°C (77°F), à la vitesse moyenne de 40 km/h (24,9 mph) en moyenne sur la chaussée.

* Certains des facteurs qui influent sur l'autonomie comprennent: la vitesse, le nombre de démarrages et d'arrêts, la température ambiante, etc.

[3]: Charge unique: courant d'entrée nominal jusqu'à 2 ampères lors de la charge avec un seul chargeur.

Double charge: courant d'entrée nominal jusqu'à 4 ampères lors de la charge avec deux chargeurs spécifiés par le fabricant.

3 Défaillances et solutions communes

Code d'erreur	Causes possibles	Solution
0	Anomalie de l'accélérateur électronique	Veuillez contacter le service après-vente ou un revendeur agréé.
1	Échec de la communication du tableau de bord	
2	Échec de la communication de la batterie	
3	Anomalie des clignotants	
4	Anomalie du feu de route	
5	Détection d'eau en haut de la tige	
6	Protection contre les surtensions du contrôleur de moteur	Veuillez essayer de charger le scooter.
7	Protection contre les sous-tensions du contrôleur de batterie/moteur	
8	Température élevée du scooter	Veuillez essayer d'appliquer une dissipation thermique pour le scooter.
9	Température élevée de la batterie	Veuillez essayer d'appliquer une dissipation thermique pour le scooter.
10	Basse température de la batterie	Veuillez essayer de réchauffer le scooter.
11	Température élevée de la roue avant	Veuillez essayer d'appliquer une dissipation thermique pour la roue avant.
12	Décrochage de la roue avant	Veuillez redémarrer le scooter et réessayer.
13	Erreur de capteur de courant de roue avant	Veuillez contacter le service après-vente ou un revendeur agréé.
14	Surintensité de la roue avant	Veuillez redémarrer le scooter et réessayer.
15	Défaillance de phase du moteur de la roue avant	Veuillez contacter le service après-vente ou un revendeur agréé.
16	Température élevée de la roue arrière	Veuillez essayer d'appliquer une dissipation thermique pour la roue arrière.
17	Décrochage de la roue arrière	Veuillez redémarrer le scooter et réessayer.
18	Erreur de capteur de courant de roue motrice arrière	Veuillez contacter le service après-vente ou un revendeur agréé.
19	Surintensité de la roue arrière	Veuillez redémarrer le scooter et réessayer.
20	Défaillance de phase du moteur de la roue arrière	Veuillez contacter le service après-vente ou un revendeur agréé.
21	Erreur du capteur à effet Hall du moteur arrière	
22	Erreur du capteur à effet Hall du moteur avant	

Certifications

Ce produit est certifié ANSI/CAN/UL-2272 by CSA Group.

La batterie est conformes à la norme UN/DOT 38.3.

La batterie est conformes à la norme ANSI/CAN/UL-2271.

Déclaration de conformité à l'Union européenne

Informations sur l'élimination pour les utilisateurs des déchets d'équipements électriques et électroniques



Ce symbole sur le produit ou sur son emballage indique que les produits électriques et électroniques usagés ne doivent pas être mélangés avec les déchets municipaux non triés. Pour un traitement approprié, il est de votre responsabilité d'éliminer vos déchets d'équipements en faisant en sorte de les rapporter aux points de collecte désignés.

L'élimination correcte de ce produit permet d'économiser des ressources précieuses et d'éviter tout effet négatif potentiel sur la santé humaine et l'environnement, qui pourrait autrement résulter d'une manipulation inappropriée des déchets.

Des sanctions peuvent être applicables en cas d'élimination incorrecte de ces déchets, conformément à votre législation nationale.

Veillez contacter votre autorité locale pour plus de détails sur le point de collecte désigné le plus proche.

Informations sur le recyclage de la batterie pour les utilisateurs



Ce symbole signifie que les piles et accumulateurs, à leur fin de vie, ne doivent pas être mélangés avec les déchets municipaux non triés. Votre participation est une partie importante de l'effort visant à minimiser l'impact des piles et accumulateurs sur l'environnement et sur la santé humaine. Pour un recyclage approprié, vous pouvez retourner ce produit ou les piles ou accumulateurs qu'il contient à votre fournisseur ou à un point de collecte désigné.

L'élimination correcte de ce produit permet d'économiser des ressources précieuses et d'éviter tout effet négatif potentiel sur la santé humaine et l'environnement, qui pourrait autrement résulter d'une manipulation inappropriée des déchets.

Des sanctions peuvent être applicables en cas d'élimination incorrecte de ces déchets, conformément à votre législation nationale.

il existe des systèmes de collecte séparés pour les piles et accumulateurs usagés.

Veillez jeter les piles et les accumulateurs correctement à la collecte/recyclage des déchets de votre communauté locale centre.

Directive sur les équipements radio

Ninebot (Changzhou) Tech Co., Ltd. déclare par la présente que le produit répertorié dans cette section est conforme aux exigences essentielles et aux autres dispositions pertinentes de la directive sur les équipements radio 2014/53/UE.

Directive sur la limitation de l'utilisation de certaines substances dangereuses (RoHS)

Ninebot (Changzhou) Tech Co., Ltd. déclare par la présente que l'ensemble du produit, y compris les pièces (câbles, cordons, etc.) est conforme aux exigences de la directive RoHS 2011/65/UE et de la modification de la directive déléguée (UE) 2015/863 sur la restriction de l'utilisation de certaines substances dangereuses dans les équipements électriques et électroniques ("RoHS recast" ou "RoHS 2.0").

Directive Machines

Ninebot (Changzhou) Tech Co., Ltd. déclare par la présente que le produit répertorié dans cette section est conforme aux exigences essentielles et aux autres dispositions pertinentes de la directive Machines 2006/42/CE.



Représentant autorisé:

Segway-Ninebot EMEA, Dynamostraat 7, 1014 BN

Amsterdam, The Netherlands

Ninebot (Changzhou) Tech Co., Ltd. déclare par la présente que le modèle de produit : GT1E, GT2P est conforme aux exigences essentielles et aux autres dispositions pertinentes de la directive sur les équipements radio 2014/53/UE et de la directive Machines 2006/42/CE et de la directive RoHS 2011/65/UE et modification de la directive déléguée (UE) 2015/863 de la Commission.

La déclaration de conformité peut être consultée à l'adresse suivante : <http://eu-en.segway.com/support-instructions>

Marque déposée

Segway, Segway GT, Segway-Ninebot et le Rider Design sont des marques déposées de Segway Inc. ; Android est une marque commerciale de Google Inc., App Store est une marque de service d'Apple Inc. Les propriétaires respectifs se réservent les droits de leurs marques commerciales et droits d'auteur, etc. mentionnés dans ce manuel.

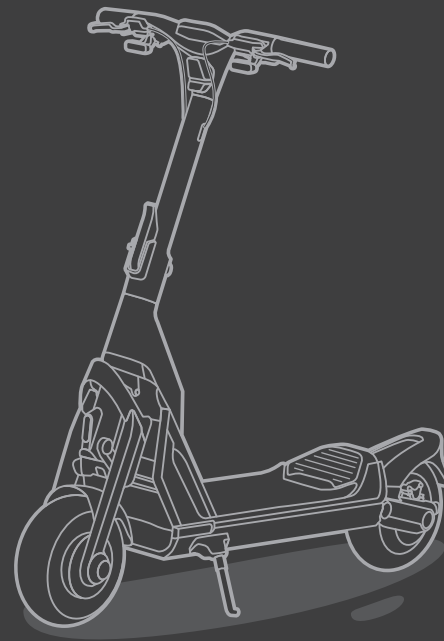
Nous nous sommes efforcés d'inclure des descriptions et des instructions pour toutes les fonctions du SuperScooter au moment de l'impression. Cependant, en raison de l'amélioration constante des fonctionnalités de l'appareil et des modifications de conception, votre SuperScooter peut différer légèrement de celui présenté dans ce document. Visitez l'Apple App Store (iOS) ou Google Play Store (Android) pour télécharger et installer l'application Segway-Ninebot. Veuillez noter qu'il existe plusieurs modèles Segway et Ninebot ayant différentes fonctions, et certaines des fonctions mentionnées ici peuvent ne pas concerner votre appareil. Le fabricant se réserve le droit de modifier l'apparence et la fonctionnalité du produit et de la documentation SuperScooter sans préavis.

© 2022 Ninebot (Beijing) Tech Co. Ltd. Tous droits réservés.

(※L'application Segway-Ninebot peut prendre en charge le SuperScooter avec Bluetooth intégré)



Scannez le code QR pour télécharger
l'application mobile Segway-Ninebot.



Le fabricant se réserve le droit d'apporter des modifications au produit, de publier des mises à jour du microprogramme et de réviser ce manuel à tout moment.

Visitez www.segway.com ou consultez l'application Segway-Ninebot pour télécharger les derniers contenus utilisateur. Vous devez installer l'application, activer votre trottinette et obtenir les dernières mises à jour et consignes de sécurité.

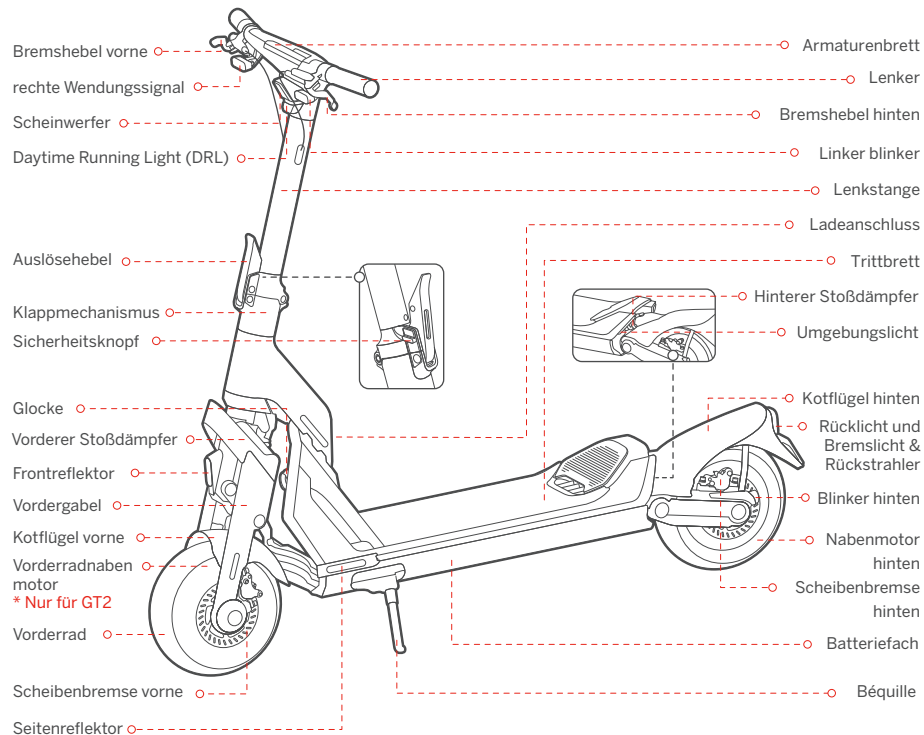
La photo est pour référence seulement. Veuillez vous référer au produit réel pour plus de détails.

SEGWAY GT

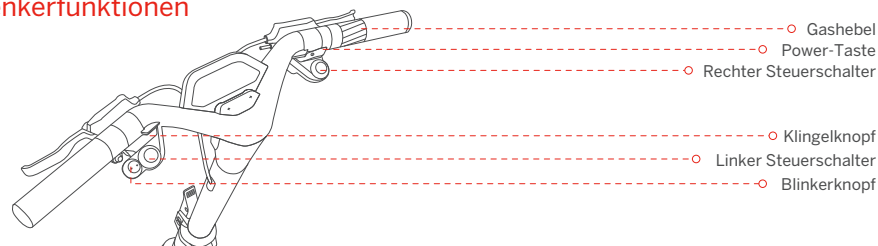
Bedienungsanleitung

Übersetzung der Originalanweisungen

Diagramm

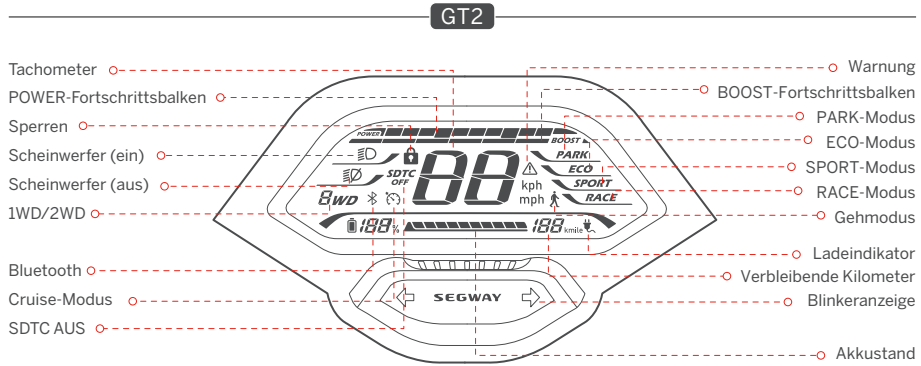
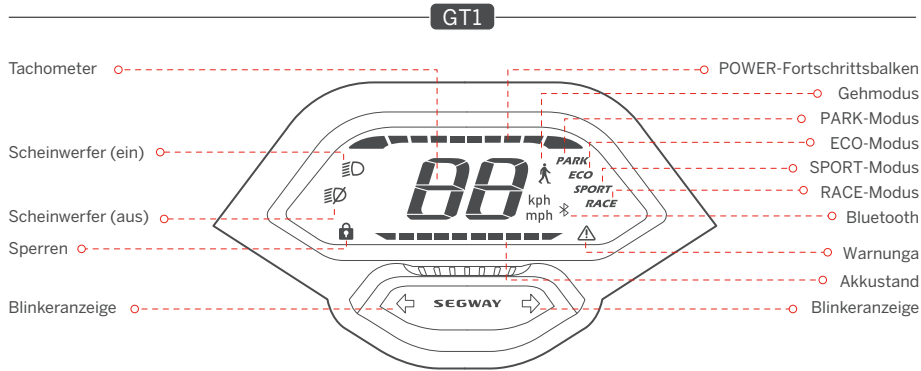


Lenkerfunktionen




Name	Funktion	Operationsmethode
Power-Taste	Einschalten / Ausschalten	Drücken Sie die Power-Taste, um den Scooter einzuschalten. Zum Ausschalten gedrückt halten. Hinweis: Nur verfügbar, wenn der Scooter nicht gesperrt ist.
	Wecken Sie den Bildschirm auf	Drücken Sie die Power-Taste, um den Bildschirm zu aktivieren, wenn der Bildschirm automatisch gedimmt wird.
	Zurück zum vorherigen Geschwindigkeitsmodus (nur für GT2)	Wenn der Scooter automatisch in den PARK-Modus wechselt, drücken Sie die Power-Taste, um zum vorherigen Geschwindigkeitsmodus zurückzukehren.
Linker Steuerschalter	Bestätigen Sie das Bluetooth-Passwort	Während Sie sich über die Segway-Ninebot-App mit dem Scooter verbinden, drücken Sie die Power-Taste, um das Bluetooth-Passwort zu bestätigen.
	Scheinwerfer ein-/ausschalten	Drehen Sie den linken Steuerschalter im Uhrzeigersinn/gegen den Uhrzeigersinn, um den Scheinwerfer aus-/einzuschalten.
	Ein-/Ausschalten des Cruise-Modus (nur für GT2)	Drücken Sie den linken Steuerschalter, um den Cruise-Modus einzuschalten, und der Scooter fährt mit konstanter Geschwindigkeit. Drücken Sie erneut, um es auszuschalten.
Rechter Steuerschalter	Umschalten zwischen 1WD und 2WD (nur für GT2)	Wenn der Scooter vollständig zum Stillstand gekommen ist, halten Sie den linken Steuerschalter gedrückt, um zwischen 1WD und 2WD umzuschalten.
	Modusumschaltung	Im Uhrzeigersinn/gegen den Uhrzeigersinn drehen, um zwischen den Geschwindigkeitsmodi zu wechseln.
	Aktivieren Sie den BOOST-Modus (nur für GT2)	1) Drücken Sie den rechten Steuerschalter, um den BOOST-Modus zu aktivieren. * Nur im RACE-Modus. 2) Drücken Sie erneut oder Schalten Sie den Geschwindigkeitsmodus um, um ihn auszuschalten.
Gashebel	Beschleunigen	Für GT1: Wenn der Scooter vollständig zum Stillstand gekommen ist, drücken Sie den rechten Steuerschalter, um in den GEH-Modus zu wechseln. Drücken Sie an dieser Stelle erneut den rechten Steuerschalter, um zum vorherigen Geschwindigkeitsmodus zurückzukehren. Für GT2: Wenn der Scooter vollständig zum Stillstand gekommen ist, halten Sie den rechten Steuerschalter gedrückt, um in den GEH-Modus zu wechseln. Halten Sie an dieser Stelle den rechten Steuerschalter erneut gedrückt, um zum vorherigen Geschwindigkeitsmodus zurückzukehren.
Blinkerknopf	Links/rechts ein-/ausschalten Signal	Drücken Sie die linke/rechte Seite der Blinkertaste, der linke/rechte Blinker wird nach dreimaligem Blinken ausgeschaltet. Drücken und halten Sie die linke/rechte Seite der Blinkertaste, der linke/rechte Blinker blinkt weiter, bis es ist freigegeben.
Klingelknopf	Schalten Sie die Glocke ein	Drücken Sie die Klingeltaste, der Scooter piept einmal.

Armaturenbrett

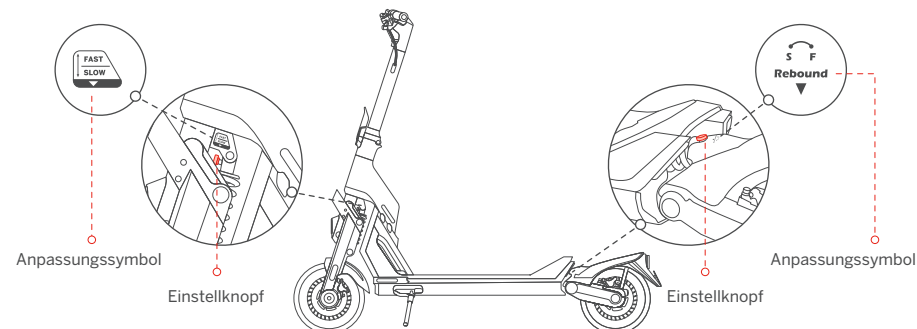


Symbol	Name	Bedeutung	Beschreibung
POWER	POWER-Fortschrittsbalken	Das Symbol zeigt die Motorausgangsleistung des Scooters an.	
BB	Tachometer	Das Symbol zeigt die aktuelle Geschwindigkeit des Scooters an.	
SDTC OFF	SDTC AUS (GT2)	Das Symbol zeigt an, dass die Funktion SDTC (Segway Dynamic Traction Control) ausgeschaltet ist.	1) Bei Zweiradantrieb wird die SDTC-Funktion in Nicht-RACE-Modi automatisch aktiviert. Hinweis: Diese Funktion hilft, ein Durchrutschen der Räder zu verhindern und die Stabilität aufrechtzuerhalten. 2) Bei Einradantrieb wird die SDTC-Funktion im RACE-Modus automatisch ausgeschaltet.
	Cruise-Modus (GT2)	Das Symbol zeigt an, dass der Cruise-Modus aktiviert ist.	1) Drücken Sie im ECO-, SPORT- oder RACE-Modus den linken Steuerschalter, um den Cruise-Modus einzuschalten, wenn die Geschwindigkeit 5 km/h beträgt. Nach dem Einschalten fährt der Scooter mit der aktuellen Geschwindigkeit. 2) Deaktivieren Sie den Cruise-Modus mit den folgenden Methoden: Methode 1: Drehen Sie den Gashebel oder ziehen Sie die Bremshebel. Methode 2: Drücken Sie den linken Steuerschalter. Methode 3: Schalten Sie den Geschwindigkeitsmodus um. ⚠ Schalten Sie den Cruise-Modus NICHT in komplexen Umgebungen, schlechtem Wetter oder unerwünschten Straßenverhältnissen ein. Ernsthaftige Gefahren oder Verletzungen können auftreten.
	Sperren	Wenn das Symbol aufleuchtet, bedeutet dies, dass der Roller gesperrt ist.	Wenn der Scooter über die Segway-Ninebot-App gesperrt ist: 1) Der Bildschirm wird nach 3 Sekunden dunkel. Drücken Sie zu diesem Zeitpunkt die Ein-/Aus-Taste, um den Bildschirm aufzuwecken. 2) Der Scooter ertönt mit blinkenden Lichtern, wenn er 3 Sekunden lang bewegt wird. 3) Der Scooter piept weiter, wenn er 10 Sekunden lang bewegt wird, und wenn der Scooter innerhalb von 60 Sekunden erneut bewegt wird, hört der Piepton nicht auf. Wenn der Scooter entsperrt ist, schaltet er sich automatisch aus, wenn innerhalb von 10 Minuten keine Bedienung erfolgt. Hinweis: Aktivieren/deaktivieren Sie diese Funktion über die Segway-Ninebot-App.
BWD	1WD/2WD (GT2)	Das Symbol 1WD zeigt an, dass sich der Scooter im Einradantriebsmodus befindet. Das Symbol 2WD zeigt an, dass sich der Scooter im Zweiradantriebsmodus befindet.	
	Akkustand (GT2)	Das Symbol zeigt die verbleibende Batterieleistung in Batterieprozentsatz und Batteriebalken an.	
	Akkustand (GT1)	Das Symbol zeigt die verbleibende Batterieleistung im Batteriebalken an.	
BOOST	BOOST-Fortschrittsbalken (GT2)	Das Symbol zeigt die verbleibende Beschleunigungszeit des BOOST-Modus an.	1) Drücken Sie den rechten Steuerschalter, um den BOOST-Modus zu aktivieren. * Nur im RACE-Modus. 2) Drehen Sie den Gashebel, um schneller zu beschleunigen. 3) Drücken Sie den rechten Steuerschalter erneut oder schalten Sie den Geschwindigkeitsmodus um, um ihn auszuschalten. ⚠ Wenn der BOOST-Modus aktiviert ist, beschleunigt der Scooter schneller. Wenden Sie diese Funktion NICHT in komplexen Umgebungen, schlechtem Wetter oder unerwünschten Straßenbedingungen an. Ernsthaftige Gefahren oder Verletzungen können auftreten.
	Bluetooth	Das Symbol zeigt an, dass der Scooter mit der Segway-Ninebot-App verbunden ist.	
	Warnung	Das Symbol zeigt an, dass der Scooter einen Fehler erkannt hat. Der Fehlercode wird auf dem Dashboard angezeigt. Siehe Seite 8 für mögliche Ursachen und Lösungen.	
188 _{kmh}	Verbleibende Kilometer	Das Symbol zeigt die verbleibende Laufleistung des Scooters an.	
	Ladeindikator	Das Symbol zeigt an, dass der Scooter aufgeladen wird.	

Geschwindigkeitsmodi Einführung


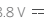
Modus/modell	GT1 (Erlaubte Höchstgeschwin- digkeit)	GT2 (Erlaubte Höchstgeschwin- digkeit)	Methoden wechseln
 (Gehmodus)	3.7 mph (6 km/h)	3.7 mph (6 km/h)	1) Wenn der Scooter vollständig zum Stillstand gekommen ist, drehen Sie den rechten Steuerschalter. 2) Für GT1: Drücken Sie den rechten Steuerschalter. Für GT2: Halten Sie den rechten Steuerschalter gedrückt. Hinweis: Drehen Sie in diesem Modus den Gashebel leicht, um mit dem Scooter mit niedriger Geschwindigkeit zu gehen.
PARK	0 mph (0 km/h)	0 mph (0 km/h)	1) Drehen Sie den rechten Steuerschalter. 2) Für GT2: Wenn sich der Scooter im ECO-, SPORT- oder RACE-Modus befindet, wird er automatisch aktiviert PARK-Modus unter folgenden Umständen: Nach dem Fahren länger als 5 Sekunden parken oder anhalten. Parken oder halten Sie länger als 20 Sekunden an, wenn Sie nicht fahren. * Drücken Sie an dieser Stelle die Power-Taste, um zum vorherigen Modus zurückzukehren.
ECO	15.5 mph (25 km/h)	24.9 mph (40 km/h)	Drehen Sie den rechten Steuerschalter.
SPORT	15.5 mph (25 km/h)	43.5 mph (70 km/h)	Drehen Sie den rechten Steuerschalter.
RACE	15.5 mph (25 km/h)	43.5 mph (70 km/h)	Drehen Sie den rechten Steuerschalter.

Dämpfereinstellung



S (langsamer Rückprall): Erhöhen Sie den Rückprallwiderstand, indem Sie den Einstellknopf im Uhrzeigersinn drehen.
F (schneller Rückprall): Verringern Sie den Rückprallwiderstand, indem Sie den Einstellknopf gegen den Uhrzeigersinn drehen.
Hinweis: Der Dämpfer wird vor dem Verlassen des Werks auf die Standardposition eingestellt. Bitte befolgen Sie die obigen Schritte, um es an Ihre Fahrgewohnheiten anzupassen.

Technische Daten

	Artikel	Parameter	
Produkt	Name	Segway SuperScooter GT1	Segway SuperScooter GT2
	Modell	GT1E	GT2P
	Länge × Breite × Höhe	Ca. 1485 × 656 × 1308 mm (58.5 × 25.8 × 51.5 inch)	
	Zusammengeklappt: Länge × Breite × Höhe	Ca. 1485 × 656 × 860 mm (58.5 × 25.8 × 33.9 inch)	
Fahrer	Nettogewicht	Ca. 47,6 kg (105 lbs)	Ca. 52,6 kg (116 lbs)
	Nutzlast	150 kg (331 lbs)	
	Altersempfehlung	14–60 Jahre	
	Erforderliche Höhe	120–200 cm (3'11"–6'6")	
Maschinen- parameter	Radstand	1147 mm	
	Bodenfreiheit	140 mm	
	Fahrsystem	1WD (Einradantrieb)	2WD (Zweiradantrieb)
	Höchst geschwindigkeit	Ca. 15,5 mph (25 km/h)	Ca. 43,5 mph (70 km/h)
	Theoretische Reichweite ^[1]	Ca. 43,5 miles (70 km)	Ca. 55,9 miles (90 km)
	Autonomie typique ^[2]	N/A	Ca. 37,3 miles (60 km)
	Höchst steigung	Ca. 23%	Ca. 30%
	Befahrbares Gelände	Asphalt/ebener Untergrund; Hindernisse < 0.4 in (1 cm); Löcher < 1.2 in (3 cm)	
	Betriebstemperatur	-10 bis 40 °C (14 bis 104°F)	
	Lagertemperatur	-20 bis 45°C (-4 bis 113°F)	
	IP-Klassifizierung	IPX4	
	Ladedauer (einzeln) ^[3]	Ca. 12 h	Ca. 16 h
	Ladedauer (dual) ^[3]	Ca. 6 h	Ca. 8 h
Batterie	Modell	NDAF5020A	NDAF5030A
	Nennspannung	50.4 V 	
	Max. Ladespannung	58.8 V 	
	Nominale Energie	1008 Wh	1512 Wh
	Nennleistung	20 Ah	30 Ah
	Nominale Energie	0 bis 40°C (32 bis 104°F)	
Ladeumgebungstemperatur	OÜberheizungs-, Kurzschluss-, Überentladung-, Überstrom- und Überladeschutz		
Motor	Motorentyp	Luftgekühlter Nabenmotor	
	Nennleistung	0.5 kW, 500 W	1.5 kW*2, 1500 W*2
	Max. Leistung	1.5 kW, 1500 W	3 kW*2, 3000 W*2

	Artikel	Parameter
Ladegerät	Modell	NBW58D802D0D
	Eingangsspannung	100–240 V~
	Max. Ausgangsspannung	58.8 V $\overline{=}$
	Nennausgangsleistung	0.1 kW, 115.6 W
	Ausgang nominal	57.8 V $\overline{=}$ 2.0 A
Reifen	Reifen	11-Zoll-selbstdichtende schlauchlose Reifen
	Reifendruck	32 psi
	Material	Gummi
Andere	Geschwindigkeitsmodus	Gehmodus, PARK-Modus, ECO-Modus, SPORT-Modus, RACE-Modus
	Federungssystem	Federung vorne und hinten
		Einstellbarer Dämpfer vorne und hinten
Bremssystem	Scheibenbremsen vorne und hinten	
Bluetooth	Frequenzband (-bänder)	2.4000–2.4835 GHz
	Max. Hochfrequenzleistung	20 mW

[1] Theoretische Reichweite: Getestet beim Fahren mit vollem Akku, 75 kg (165 lbs) Last, 25 °C (77 °F) und einer Durchschnittsgeschwindigkeit von 20 km/h .

[2] Autonomie typique: Getestet beim Fahren mit vollem Akku, 75 kg (165 lbs) Last, 25 °C (77 °F) und einer Durchschnittsgeschwindigkeit von 40 km/h (24,9 mph) auf Bürgersteigen.

* Certains facteurs peuvent affecter l'autonomie comme: la vitesse, le nombre de démarrages et d'arrêts, la température ambiante, etc.

[3]: Einzelladung: Nenneingangsstrom bis zu 2 Ampere beim Laden mit Einzelladegerät.

Doppeltes Laden: Nenneingangsstrom bis zu 4 Ampere beim Laden mit zwei vom Hersteller angegebenen Ladegeräten.

3 Häufige Fehler und Lösungen

Fehlercode	Mögliche Ursachen	Lösung	
0	Drosselklappenanomalie	Wenden Sie sich bitte an den Kundendienst oder einen autorisierten Händler.	
1	Dashboard-Kommunikationsfehler		
2	Batteriekommunikationsfehler		
3	Abnormalität der Blinker		
4	Scheinwerferanomalie		
5	Wassererkennung in der Stielspitze		
6	Überspannungsschutz der Motorsteuerung	Bitte versuchen Sie, den Roller aufzuladen.	
7	Unterspannungsschutz der Batterie-/Motorsteuerung		
8	Hohe Rollertemperatur		Bitte versuchen Sie, die Wärmeableitung für den Roller anzuwenden.
9	Hohe Batterietemperatur		Bitte versuchen Sie, die Wärmeableitung für den Roller anzuwenden.
10	Niedrige Batterietemperatur		Bitte versuchen Sie, den Scooter aufzuwärmen.
11	Hohe Vorderradtemperatur		Versuchen Sie bitte, die Wärmeableitung für das vordere Antriebsrad zu übernehmen.
12	Abwürgen des Vorderrads		Bitte starten Sie den Scooter neu und versuchen Sie es erneut.
13	Stromsensorfehler Vorderradantrieb		Please contact after-sales service or an authorized dealer.
14	Überstrom am Vorderrad		Bitte starten Sie den Scooter neu und versuchen Sie es erneut.
15	Phasenausfall des Vorderradmotors		Wenden Sie sich bitte an den Kundendienst oder einen autorisierten Händler.
16	Hohe Temperatur am Hinterrad	Versuchen Sie bitte, die Wärmeableitung für das vordere Antriebsrad zu übernehmen.	
17	Abwürgen des Hinterradantriebs	Bitte starten Sie den Scooter neu und versuchen Sie es erneut.	
18	Stromsensorfehler Hinterradantrieb	Wenden Sie sich bitte an den Kundendienst oder einen autorisierten Händler.	
19	Überstrom am hinteren Antriebsrad	Bitte starten Sie den Scooter neu und versuchen Sie es erneut.	
20	Phasenausfall des Hinterradmotors	Wenden Sie sich bitte an den Kundendienst oder einen autorisierten Händler.	
21	Fehler des hinteren Motorhallsensors		
22	Fehler des vorderen Motorhallsensors		

Zertifizierungen

Dieses Produkt ist nach ANSI/CAN/UL-2272 von CSA Group zertifiziert.
Der Batterie entspricht den UN/DOT 38.3-Vorschriften.
Der Batterie entspricht den ANSI/CAN/UL-2271-Vorschriften.

Konformitätserklärung der Europäischen Union

Informationen zur Entsorgung für Benutzer von Elektro- und Elektronik-Altgeräten



Dieses Symbol auf dem Produkt oder seiner Verpackung weist darauf hin, dass gebrauchte Elektro- und Elektronikprodukte nicht mit unsortiertem Siedlungsabfall gemischt werden sollten. Für eine ordnungsgemäße Behandlung sind Sie dafür verantwortlich, Ihre Altgeräte zu entsorgen, indem Sie dafür sorgen, dass sie an ausgewiesenen Sammelstellen abgegeben werden.

Die ordnungsgemäße Entsorgung dieses Produkts trägt dazu bei, wertvolle Ressourcen zu sparen und mögliche negative Auswirkungen auf die menschliche Gesundheit und die Umwelt zu vermeiden, die andernfalls durch unsachgemäße Abfallbehandlung entstehen könnten.

Für die unsachgemäße Entsorgung dieses Abfalls können gemäß Ihrer nationalen Gesetzgebung Strafen verhängt werden. Bitte wenden Sie sich an Ihre örtliche Behörde, um weitere Informationen zur nächstgelegenen ausgewiesenen Sammelstelle zu erhalten.

Informationen zum Batterierecycling für Benutzer



Dieses Symbol bedeutet, dass Batterien und Akkumulatoren am Ende ihrer Lebensdauer nicht mit unsortiertem Siedlungsabfall vermischt werden sollten. Ihre Teilnahme ist ein wichtiger Teil der Bemühungen, die Auswirkungen von Batterien und Akkumulatoren auf die Umwelt und die menschliche Gesundheit zu minimieren. Zum ordnungsgemäßen Recycling können Sie dieses Produkt oder die darin enthaltenen Batterien oder Akkus bei Ihrem Lieferanten oder einer dafür vorgesehenen Sammelstelle abgeben.

Die ordnungsgemäße Entsorgung dieses Produkts trägt dazu bei, wertvolle Ressourcen zu sparen und mögliche negative Auswirkungen auf die menschliche Gesundheit und die Umwelt zu vermeiden, die andernfalls durch unsachgemäße Abfallbehandlung entstehen könnten.

Für die unsachgemäße Entsorgung dieses Abfalls können gemäß Ihrer nationalen Gesetzgebung Strafen verhängt werden. Für gebrauchte Batterien und Akkus gibt es getrennte Sammelsysteme. Bitte entsorgen Sie Batterien und Akkus fachgerecht bei Ihrer kommunalen Sammelstelle/Recycling Center.

Richtlinie über Funkanlagen

Ninebot (Changzhou) Tech Co., Ltd. erklärt hiermit, dass das in diesem Abschnitt aufgeführte Produkt den grundlegenden Anforderungen und anderen relevanten Bestimmungen der Richtlinie 2014/53/EU über Funkanlagen entspricht.

Beschränkung der Verwendung bestimmter gefährlicher Stoffe (RoHS)-Richtlinie

Ninebot (Changzhou) Tech Co., Ltd. erklärt hiermit, dass das gesamte Produkt einschließlich Teilen (Kabel, Schnüre usw.) die Anforderungen der RoHS-Richtlinie 2011/65/EU und der Änderung der Delegierten Richtlinie (EU) 2015/863 der Kommission über die Erfüllung der Beschränkung der Verwendung bestimmter gefährlicher Stoffe in Elektro- und Elektronikgeräten („RoHS recast“ oder „RoHS 2.0“).

Maschinenrichtlinie

Ninebot (Changzhou) Tech Co., Ltd. erklärt hiermit, dass das in diesem Abschnitt aufgeführte Produkt den grundlegenden Anforderungen und anderen relevanten Bestimmungen der Maschinenrichtlinie 2006/42/EG entspricht.



Autorisierter Vertreter:

Segway-Ninebot EMEA, Dynamostraat 7, 1014 BN
Amsterdam, The Netherlands

Ninebot (Changzhou) Tech Co., Ltd. erklärt hiermit, dass das Produktmodell: GT1E, GT2P den grundlegenden Anforderungen und anderen relevanten Bestimmungen der Richtlinie 2014/53/EU über Funkanlagen entspricht und der Maschinenrichtlinie 2006/42/EG entspricht und der RoHS-Richtlinie 2011/65/EU entspricht und Änderung Delegierte Richtlinie (EU) 2015/863 der Kommission.

Die Konformitätserklärung kann unter folgender Adresse eingesehen werden: <http://eu-en.segway.com/support-instructions>

Warenzeichen

Segway, Segway GT, Segway-Ninebot und das Rider Design sind Warenzeichen von Segway Inc.; Android ist das Warenzeichen von Google Inc., App Store ist eine Dienstleistungsmarke von Apple Inc. Die jeweiligen Eigentümer behalten sich die Rechte an ihren Warenzeichen und Urheberrechten usw. vor, auf die in diesem Handbuch Bezug genommen wird.

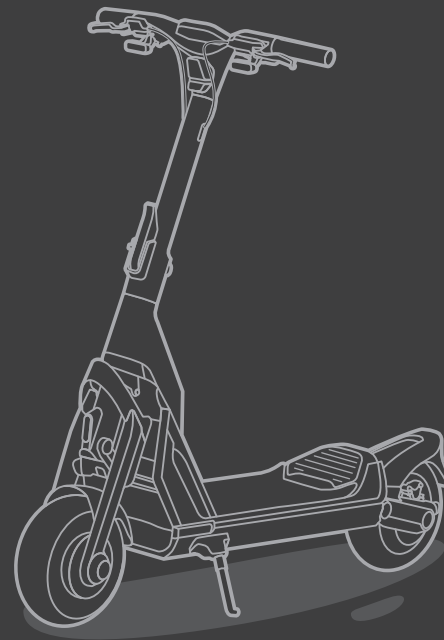
Wir haben versucht, Beschreibungen und Anweisungen für alle Funktionen des SuperScooter zum Zeitpunkt der Drucklegung beizufügen. Aufgrund ständiger Verbesserung der Produkteigenschaften und Designänderungen kann Ihr SuperScooter jedoch leicht von der Abbildung in diesem Dokument abweichen. Scannen Sie den QR-Code auf dem Deckblatt dieses Handbuchs oder besuchen Sie den Apple App Store (iOS) oder den Google Play Store (Android), um die Segway-Ninebot-App herunterzuladen und zu installieren. Bitte beachten Sie, dass es mehrere Segway- und Ninebot-Modelle mit unterschiedlichen Funktionen gibt und einige der hierin erwähnten Funktionen möglicherweise nicht auf Ihr Gerät zutreffen. Der Hersteller behält sich das Recht vor, das Design und die Funktionalität des SuperScooter-Produkts und der Dokumentation ohne vorherige Ankündigung zu ändern.

© 2022 Ninebot (Peking) Tech Co. Ltd. Alle Rechte vorbehalten.

(※Die Segway-Ninebot App kann SuperScooter mit integriertem Bluetooth unterstützen)



Scannen Sie den QR-Code, um die Segway-Ninebot-App herunterzuladen.



Der Hersteller behält sich jederzeit das Recht von Produktänderungen, der Herausgabe von Firmware-Updates und der Aktualisierung dieses Handbuchs vor.

Besuchen Sie www.segway.com oder schauen Sie auf der Segway-Ninebot App nach, um sich die neuesten Benutzermaterialien herunterzuladen. Sie müssen die Segway-Ninebot App installieren und Ihren KickScooter aktivieren, um die neuesten Updates und Sicherheitshinweise zu erhalten.

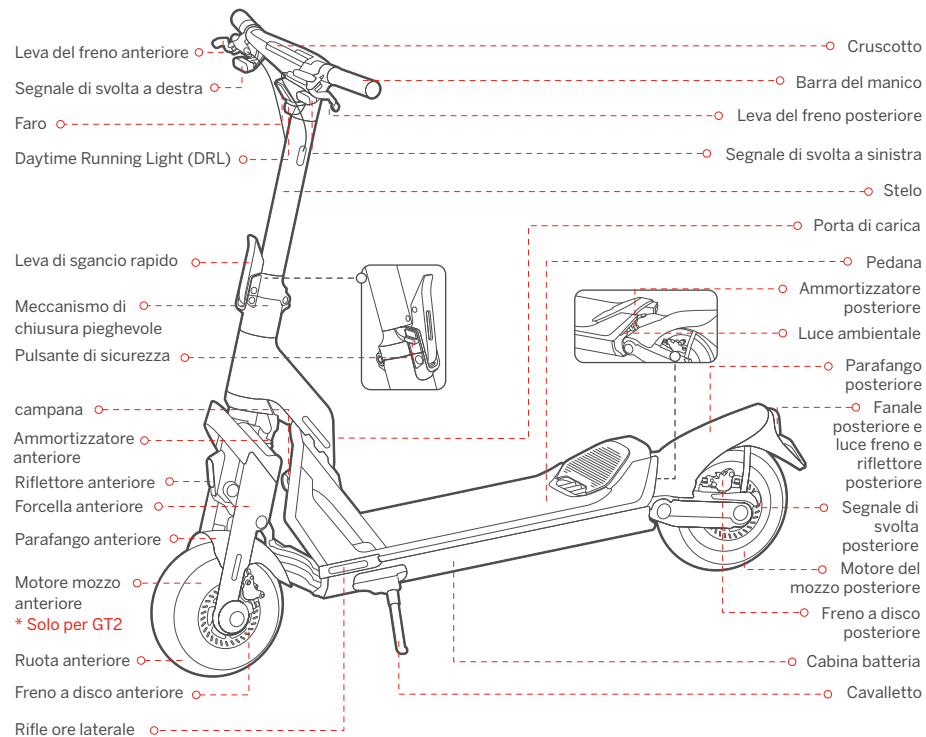
Das Bild dient nur als Referenz. Das tatsächliche Produkt kann abweichen. Bitte beziehen Sie sich auf das aktuelle Produkt für weitere Details.

SEGWAY *GT*

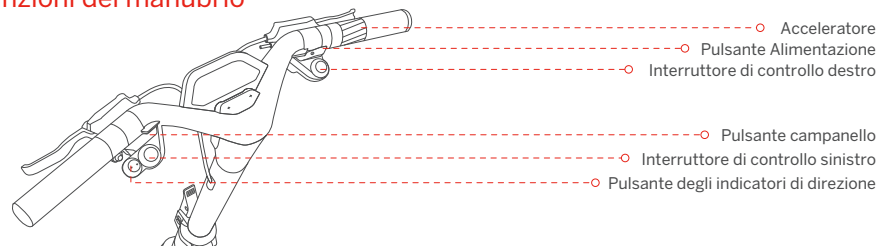
Manuale del prodotto

Traduzione delle istruzioni originali.

Diagramma



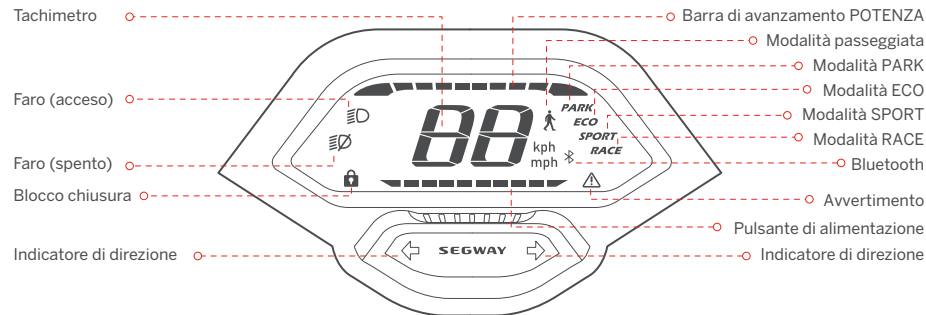
Funzioni del manubrio



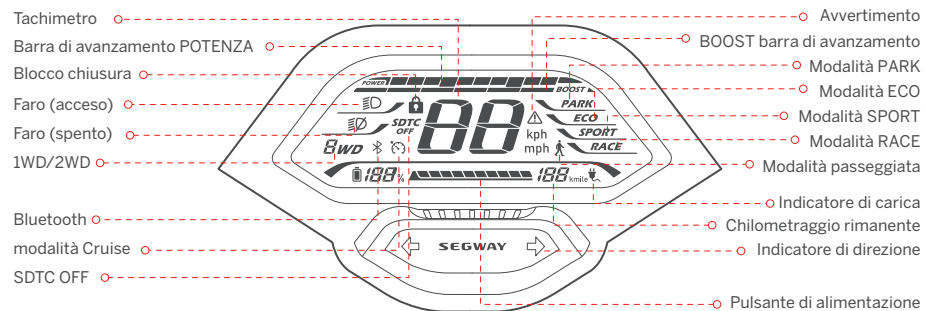
Nome	Funzione	Metodo operativo
Pulsante Alimentazione	Accensione/spengimento	Premere il pulsante di accensione per accendere lo scooter. Tenere premuto per spegnerlo. Nota: disponibile solo quando lo scooter non è bloccato.
	Sveglia lo schermo	Premi il pulsante di accensione per riattivare lo schermo quando lo schermo si oscura automaticamente.
	Torna al precedente modalità velocità (solo per GT2)	Quando lo scooter entra automaticamente in modalità PARK, premere il pulsante di accensione per tornare alla modalità di velocità precedente.
	Conferma la password Bluetooth	Durante la connessione allo scooter tramite l'app Segway-Ninebot, premere il pulsante di accensione per confermare la password Bluetooth.
Interruttore di controllo sinistro	Accendere/spegnere il faro	Ruotare l'interruttore di controllo sinistro in senso orario/antiorario per spegnere/accendere il faro.
	Attiva/disattiva la modalità crociera (solo per GT2)	Premere l'interruttore di controllo sinistro per attivare la modalità di crociera e lo scooter navigherà a velocità costante. Premere di nuovo per spegnerlo.
Interruttore di controllo destro	Passa da 1WD a 2WD (solo per GT2)	Quando lo scooter è completamente fermo, tenere premuto l'interruttore di comando sinistro per passare dalla modalità 1WD a 2WD.
	Cambio di modalità	Ruotare in senso orario/antiorario per passare da una modalità di velocità all'altra.
	Attiva la modalità BOOST (solo per GT2)	1) Premere l'interruttore di controllo destro per attivare la modalità BOOST. * Solo in modalità RACE. 2) Premere di nuovo o cambia la modalità velocità per disattivarla.
Acceleratore	Passa alla modalità WALK	Per GT1: quando lo scooter è completamente fermo, premere l'interruttore di comando destro per passare alla modalità WALK. A questo punto, premi nuovamente l'interruttore di controllo destro per tornare alla modalità di velocità precedente. Per GT2: quando lo scooter è completamente fermo, tenere premuto l'interruttore di comando destro per passare alla modalità WALK. A questo punto, tieni premuto nuovamente l'interruttore di controllo destro per tornare alla modalità di velocità precedente.
	Accelerare	Ruota l'acceleratore per accelerare.
Pulsante degli indicatori di direzione	Attiva/disattiva sinistra/destra segnale	Premere il lato sinistro/destro del pulsante dell'indicatore di direzione, l'indicatore di direzione sinistro/destro si spegnerà dopo tre lampeggi. premere e tenere premuto il lato sinistro/destro del pulsante dell'indicatore di direzione, l'indicatore di direzione sinistro/destro continuerà a lampeggiare fino a quando viene rilasciato.
Pulsante campanello	Accendi il campanello	Premere il pulsante campanello, lo scooter emetterà un segnale acustico.

Cruscotto

GT1



GT2

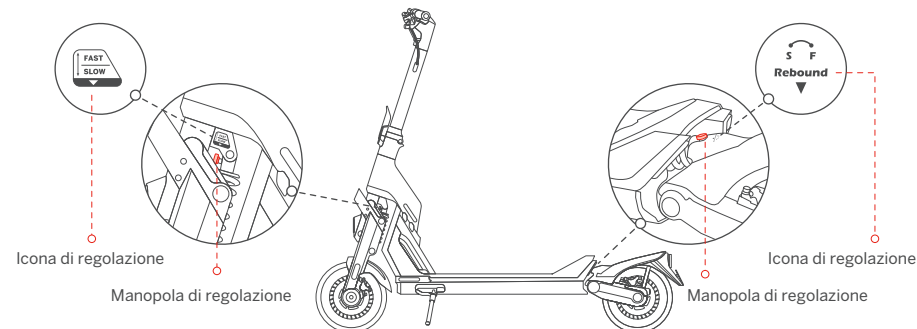


Simbolo	Nome	Significato	Descrizione
POWER	Barra di avanzamento POTENZA		Il simbolo mostra la potenza di uscita del motore dello scooter.
BB	Tachimetro		Il simbolo mostra la velocità attuale dello scooter.
SDTC OFF	SDTC OFF (GT2)	Il simbolo indica che la funzione SDTC (Segway Dynamic Traction Control) è disattivata.	1) Con le due ruote motrici, la funzione SDTC si attiva automaticamente nelle modalità non RACE. Nota: questa funzione aiuta a prevenire lo slittamento delle ruote e a mantenere la stabilità quando accelerando. 2) Con la trazione integrale, la funzione SDTC si spegne automaticamente in modalità RACE.
	modalità Cruise (GT2)	Il simbolo indica che la modalità Cruise è attivata.	1) In modalità ECO, SPORT o RACE, premere l'interruttore di controllo sinistro per attivare la modalità crociera quando la velocità è di 5 km/h (3.1 mph). Una volta acceso, lo scooter navigherà alla velocità attuale. 2) Disattiva la modalità crociera con i seguenti metodi: Metodo 1: ruotare l'acceleratore o premere le leve del freno. Metodo 2: premere l'interruttore di controllo sinistro. Metodo 3: cambia la modalità di velocità. ⚠ NON attivare la modalità crociera in ambienti complessi, maltempo o condizioni stradali indesiderabili. Potrebbero verificarsi gravi pericoli o lesioni.
	Blocco chiusura	Quando l'icona si accende, significa che lo scooter è bloccato.	Quando lo scooter è bloccato tramite l'app Segway-Ninebot: 1) Lo schermo si spegnerà in 3 secondi, a questo punto, premere il pulsante di accensione per riattivare lo schermo. 2) Lo scooter emetterà l'allarme con luci lampeggianti quando viene spostato per 3 secondi. 3) Lo scooter continuerà a emettere un segnale acustico quando viene spostato per 10 secondi e se lo scooter viene spostato di nuovo entro 60 secondi, il segnale acustico non si interrompe. Quando lo scooter è sbloccato, si spegnerà automaticamente se non viene eseguita alcuna operazione entro 10 minuti. Nota: abilita/disabilita questa funzione tramite l'app Segway-Ninebot.
1WD/2WD	1WD/2WD (GT2)	L'icona 1WD indica che lo scooter è in modalità di trazione integrale. L'icona 2WD indica che lo scooter è in modalità a due ruote motrici.	
	Pulsante di alimentazione (GT2)	Il simbolo mostra la carica residua della batteria in percentuale della batteria e barra della batteria.	
	Pulsante di alimentazione (GT1)	Il simbolo mostra la carica residua della batteria nella barra della batteria.	
BOOST	BOOST barra di avanzamento (GT2)	Il simbolo mostra il tempo di accelerazione rimanente disponibile della modalità BOOST.	1) Premere l'interruttore di controllo destro per attivare la modalità BOOST. * Solo in modalità RACE. 2) Ruotare l'acceleratore per accelerare più velocemente. 3) Premere di nuovo l'interruttore di controllo destro o cambiare la modalità velocità per disattivarlo. ⚠ Quando la modalità BOOST è attivata, lo scooter accelererà più velocemente. NON applicare questa funzione in ambienti complessi, maltempo o condizioni stradali indesiderabili. Potrebbero verificarsi gravi pericoli o lesioni.
	Bluetooth	Il simbolo indica che lo scooter è connesso all'app Segway-Ninebot.	
	Avvertimento	Il simbolo indica che lo scooter ha rilevato un errore. Il codice di errore verrà visualizzato sul dashboard. Vedere pagina 8 per possibili cause e soluzioni.	
188	Chilometraggio rimanente	Il simbolo indica il chilometraggio residuo dello scooter.	
	Indicatore di carica	Il simbolo indica che lo scooter è in carica.	

Introduzione alle modalità di velocità

Modalità/ modello	GT1 (Limite di velocità)	GT2 (Limite di velocità)	Cambiare i metodi
 (passeggiata)	3.7 mph (6 km/h)	3.7 mph (6 km/h)	1) Quando lo scooter è completamente fermo, ruotare l'interruttore di comando destro. 2) Per GT1: premere l'interruttore di controllo destro. Per GT2: tieni premuto l'interruttore di controllo destro. Nota: in questa modalità, ruotare leggermente l'acceleratore per camminare con lo scooter a bassa velocità.
PARK	0 mph (0 km/h)	0 mph (0 km/h)	1) Ruotare l'interruttore di controllo destro. 2) Per GT2: Quando lo scooter è in modalità ECO, SPORT o RACE, entrerà automaticamente Modalità PARK nelle seguenti circostanze: Parcheggia o fermati per più di 5 secondi dopo la guida. Parcheggiare o fermarsi per più di 20 secondi quando non si guida. * A questo punto, premi il pulsante di accensione per tornare alla modalità precedente.
ECO	15.5 mph (25 km/h)	24.9 mph (40 km/h)	Ruotare l'interruttore di controllo destro.
SPORT	15.5 mph (25 km/h)	43.5 mph (70 km/h)	Ruotare l'interruttore di controllo destro.
RACE	15.5 mph (25 km/h)	43.5 mph (70 km/h)	Ruotare l'interruttore di controllo destro.

Regolazione dell'ammortizzatore



S (rimbalzo lento): aumenta la resistenza al rimbalzo ruotando la manopola di regolazione in senso orario.

F (rimbalzo veloce): diminuire la resistenza al rimbalzo ruotando la manopola di regolazione in senso antiorario.

Nota: l'ammortizzatore è impostato sulla posizione predefinita prima di lasciare la fabbrica. Si prega di seguire i passaggi precedenti per regolarlo in base alle proprie abitudini di guida.

Dati tecnici

	Articolo	Parametro	
Prodotto	Nome	Segway SuperScooter GT1	Segway SuperScooter GT2
	Modello	GT1E	GT2P
	Lunghezza × Larghezza × Altezza	Circa 1485 × 656 × 1308 mm (58.5 × 25.8 × 51.5 inch)	
	Piegato: Lunghezza × Larghezza × Altezza	Circa 1485 × 656 × 860 mm (58.5 × 25.8 × 33.9 inch)	
Utente	Peso netto	Circa 47.6 kg (105 lbs)	Circa 52.6 kg (116 lbs)
	Carico utile	150 kg (331 lbs)	
	Età consigliata	14-60 anni	
Parametri macchina	Altezza Richiesta	120-200 cm (3'11"-6'6")	
	Interasse	1147 mm	
	Altezza libera dal suolo	140 mm	
	Sistema di guida	1WD (una ruota motrice)	2WD (due ruote motrici / trazione integrale)
	Velocità massima	Circa 15.5 mph (25 km/h)	Circa 43.5 mph (70 km/h)
	Autonomia teorica ⁽¹⁾	Circa 43.5 miles (70 km)	Circa 55.9 miles (90 km)
	Gamma Tipical ⁽²⁾	N/A	Circa 37.3 miles (60 km)
	Inclinazione Massima	Circa 23%	Circa 30%
	Terreno attraversabile	Asfalto/pavimentazione piatta: ostacoli < 0.4 in (1 cm); intervalli < 1.2 in (3 cm)	
	Temperatura di funzionamento	-10 a 40°C (14 a 104°F)	
	Temperatura di immagazzinamento	-20 a 45°C (-4 a 113°F)	
	Classe IP	IPX4	
	Durata della carica (singola) ⁽³⁾	Circa 12 h	Circa 16 h
	Durata della ricarica (doppia) ⁽³⁾	Circa 6 h	Circa 8 h
Batteria	Modello	NDAF5020A	NDAF5030A
	Tensione nominale	50.4 V	
	Tensione di ricarica massima	58.8 V	
	Energia nominale	1008 Wh	1512 Wh
	Capacità nominale	20 Ah	30 Ah
	Temperatura ambiente di ricarica	0 a 40°C (32 a 104°F)	
Motore	Sistema di gestione batteria	Protezione da sovrariscaldamento, scarico, cortocircuito, sovracorrente e sovraccarica	
	Tipo di motore	Motore mozzo raffreddato ad aria	
	Potenza nominale	0.5 kW, 500 W	1.5 kW*2, 1500 W*2
	Potenza massima	1.5 kW, 1500 W	3 kW*2, 3000 W*2

	Articolo	Parameter
Caricatore	Modello	NBW58D802D0D
	Tensione di ingresso	100-240 V~
	Tensione in uscita max.	58.8 V $\overline{=}$
	Potenza di Uscita	0.1 kW, 115.6 W
	Uscita nominale	57.8 V $\overline{=}$ 2.0 A
Pneumatici	Pneumatici	Pneumatici tubeless autosigillanti da 11 pollici
	Pressione dei pneumatici	32 psi
	Materiale	Gomma
Altre	Modalità di guida	Modalità passeggiata, Modalità PARK, Modalità ECO, Modalità SPORT, Modalità RACE
	Sistema di sospensione	Sospensione a molla anteriore e posteriore Ammortizzatore anteriore e posteriore regolabile
	Sistema di frenaggio	Freni a disco anteriori e posteriori
Bluetooth	Banda/e di frequenza	2.4000-2.4835 GHz
	Max. Potenza RF	20 mW

[1] Autonomia teorica: testata durante la guida con una batteria carica, 75 kg (165 libbre) di carico, 25°C (77°F), alla velocità media di 12.4 mph (20 km/h) sull'asfalto.

[2] Gamma Tipica: testata durante la guida con una batteria carica, 75 kg (165 libbre) di carico, 25°C (77°F), alla velocità media di 24.9 mph (40 km/h) sull'asfalto.

* Alcuni fattori che potrebbero influire sull'autonomia sono: velocità, frequenza di arresti e ripartenze, temperatura climatica, ecc.

[3]: Carica singola: corrente di ingresso nominale fino a 2 A durante la ricarica con caricatore singolo.

Doppia carica: corrente di ingresso nominale fino a 4 A durante la ricarica con due caricabatterie specificati dal produttore.

3 Errori e soluzioni comuni

Codice di errore	Cause possibili	Soluzione
0	Anomalia dell'acceleratore	Si prega di contattare il servizio post-vendita o un rivenditore autorizzato.
1	Errore di comunicazione con il dashboard	
2	Errore di comunicazione della batteria	
3	Anomalia indicatori di direzione	
4	Anomalia del faro	
5	Rilevamento dell'acqua nella parte superiore dello stelo	
6	Protezione da sovratensione del controller del motore	
7	Protezione da sottotensione della batteria/controller del motore	Si prega di provare a caricare lo scooter.
8	Alta temperatura dello scooter	Si prega di provare ad applicare la dissipazione del calore per lo scooter.
9	Alta temperatura della batteria	Si prega di provare ad applicare la dissipazione del calore per lo scooter.
10	Bassa temperatura della batteria	Si prega di provare a riscaldare lo scooter.
11	Elevata temperatura della ruota motrice anteriore	Prova ad applicare la dissipazione del calore per la ruota motrice posteriore.
12	Stallo della ruota motrice anteriore	Riavvia lo scooter e riprova.
13	Errore del sensore di corrente della ruota motrice anteriore	Si prega di contattare il servizio post-vendita o un rivenditore autorizzato.
14	Sovracorrente della ruota motrice anteriore	Riavvia lo scooter e riprova.
15	Mancanza di fase del motore della ruota motrice anteriore	Si prega di contattare il servizio post-vendita o un rivenditore autorizzato.
16	Elevata temperatura della ruota motrice posteriore	Prova ad applicare la dissipazione del calore per la ruota motrice posteriore.
17	Stallo della ruota motrice posteriore	Riavvia lo scooter e riprova.
18	Errore del sensore di corrente della ruota motrice posteriore	Si prega di contattare il servizio post-vendita o un rivenditore autorizzato.
19	Sovracorrente della ruota motrice posteriore	Riavvia lo scooter e riprova.
20	Mancanza di fase del motore della ruota motrice posteriore	Si prega di contattare il servizio post-vendita o un rivenditore autorizzato.
21	Errore sensore hall motore posteriore	
22	Errore sensore hall motore anteriore	

Certificazioni

Questo prodotto è certificato da CSA Group per ANSI/CAN/UL-2272.

La batteria è conforme a UN/DOT 38.3.

La batteria è conforme a ANSI/CAN/UL-2271.

Dichiarazione di conformità dell'Unione Europea

Informazioni sullo smaltimento per gli utenti dei rifiuti di apparecchiature elettriche ed elettroniche



Questo simbolo sul prodotto o sulla sua confezione indica che i prodotti elettrici ed elettronici usati non devono essere mischiati con i rifiuti urbani indifferenziati. Per un corretto trattamento, è tua responsabilità smaltire le apparecchiature di scarto provvedendo a restituirle ai punti di raccolta designati.

Il corretto smaltimento di questo prodotto consentirà di risparmiare risorse preziose e di prevenire potenziali effetti negativi sulla salute umana e sull'ambiente, che potrebbero derivare da una gestione inappropriata dei rifiuti.

Potrebbero essere applicate sanzioni per lo smaltimento non corretto di questi rifiuti, in conformità con la legislazione nazionale.

Si prega di contattare l'autorità locale per ulteriori dettagli sul punto di raccolta designato più vicino.

Informazioni sul riciclaggio della batteria per gli utenti



Questo simbolo significa che batterie e accumulatori, alla fine del loro ciclo di vita, non devono essere mischiati con i rifiuti urbani indifferenziati. La tua partecipazione è una parte importante dello sforzo per ridurre al minimo l'impatto di batterie e accumulatori sull'ambiente e sulla salute umana. Per un corretto riciclaggio è possibile restituire questo prodotto o le batterie o gli accumulatori in esso contenuti al proprio fornitore o in un punto di raccolta designato.

Il corretto smaltimento di questo prodotto consentirà di risparmiare risorse preziose e di prevenire potenziali effetti negativi sulla salute umana e sull'ambiente, che potrebbero derivare da una gestione inappropriata dei rifiuti.

Potrebbero essere applicate sanzioni per lo smaltimento non corretto di questi rifiuti, in conformità con la legislazione nazionale.

esistono sistemi di raccolta differenziata per batterie e accumulatori usati.

Per favore, smaltisci correttamente le batterie e gli accumulatori presso la tua comunità locale di raccolta/riciclaggio dei rifiuti centro.

Direttiva sulle apparecchiature radio

Ninebot (Changzhou) Tech Co., Ltd. dichiara che il prodotto elencato in questa sezione è conforme ai requisiti essenziali e ad altre disposizioni pertinenti della Direttiva sulle apparecchiature radio 2014/53/UE.

Direttiva sulla restrizione dell'uso di determinate sostanze pericolose (RoHS).

Ninebot (Changzhou) Tech Co., Ltd. dichiara che l'intero prodotto comprese le parti (cavi, cavi e così via) soddisfa i requisiti della Direttiva RoHS 2011/65/UE e modifica della Direttiva delegata (UE) 2015/863 della Commissione sulla limitazione dell'uso di determinate sostanze pericolose nelle apparecchiature elettriche ed elettroniche ("RoHS recast" o "RoHS 2.0").

Direttiva macchine

Ninebot (Changzhou) Tech Co., Ltd. dichiara che il prodotto elencato in questa sezione è conforme ai requisiti essenziali e ad altre disposizioni pertinenti della Direttiva Macchine 2006/42/CE.



Rappresentante autorizzato:

Segway-Ninebot EMEA, Dynamostraat 7, 1014

BN Amsterdam, The Netherlands

Ninebot (Changzhou) Tech Co., Ltd. dichiara che il modello del prodotto: GT1E, GT2P è conforme ai requisiti essenziali e ad altre disposizioni pertinenti della Direttiva sulle apparecchiature radio 2014/53/UE e della Direttiva Macchine 2006/42/CE e della Direttiva RoHS 2011/65/UE e modifica Direttiva delegata (UE) 2015/863 della Commissione.

La dichiarazione di conformità può essere visionata al seguente indirizzo: <http://eu-en.segway.com/support-instructions>

Marchio

Segway, Segway GT, Segway-Ninebot e Rider Design sono marchi di Segway Inc.; Android è un marchio di Google Inc.; App Store è un marchio di servizio di Apple Inc. I rispettivi proprietari si riservano i diritti sui propri marchi e diritti d'autore, ecc. citati in questo manuale.

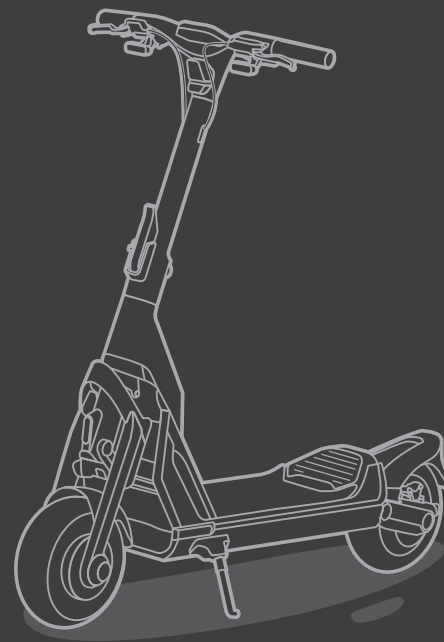
Abbiamo cercato di includere descrizioni e istruzioni per tutte le funzioni del SuperScooter al momento della stampa. Tuttavia, a causa del costante miglioramento delle caratteristiche del prodotto e delle modifiche al design, il tuo SuperScooter potrebbe differire leggermente da quello mostrato in questo documento. Scansiona il codice QR sulla copertina di questo manuale o visita l'App Store di Apple (iOS) o il Google Play Store (Android) per scaricare e installare l'app Segway-Ninebot. Tieni presente che esistono più modelli Segway e Ninebot con funzioni diverse e alcune delle funzioni qui menzionate potrebbero non essere applicabili al tuo prodotto. Il produttore si riserva il diritto di modificare il design e la funzionalità del prodotto e della documentazione SuperScooter senza preavviso.

© 2022 Ninebot (Beijing) Tech Co. Ltd. Tutti i diritti riservati.

(※L'app Segway-Ninebot può supportare SuperScooter con Bluetooth integrato)



Scansiona il codice QR per scaricare l'app
Segway-Ninebot.



Il produttore si riserva il diritto di apportare modifiche al prodotto, aggiornare gli aggiornamenti del firmware e aggiornare questo manuale in qualsiasi

momento. Visitare www.segway.com o controllare l'app Segway-Ninebot per scaricare l'ultimo manuale utente e materiali. È necessario installare l'App, attivare il proprio KickScooter e ottenere gli ultimi aggiornamenti e le istruzioni di sicurezza.

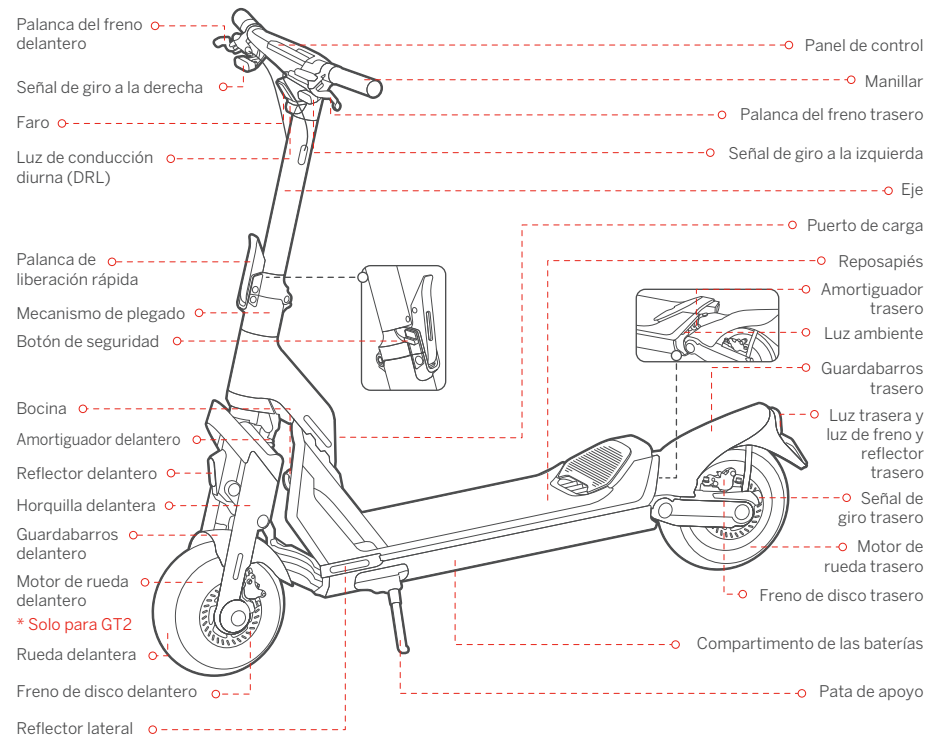
La figura è da considerarsi solo come riferimento. Si prega di far riferimento al prodotto attuale per maggiori dettagli.

SEGWAY *GT*

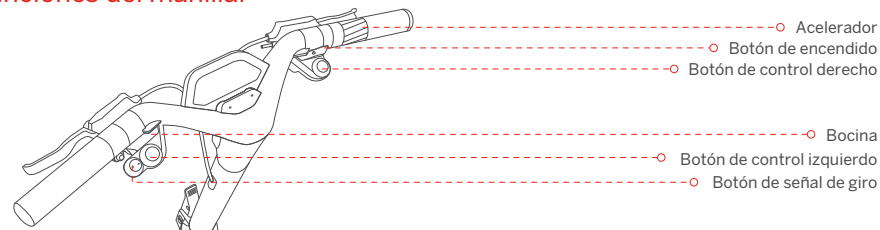
Manual del producto

Traducción de las instrucciones originales

Diagrama

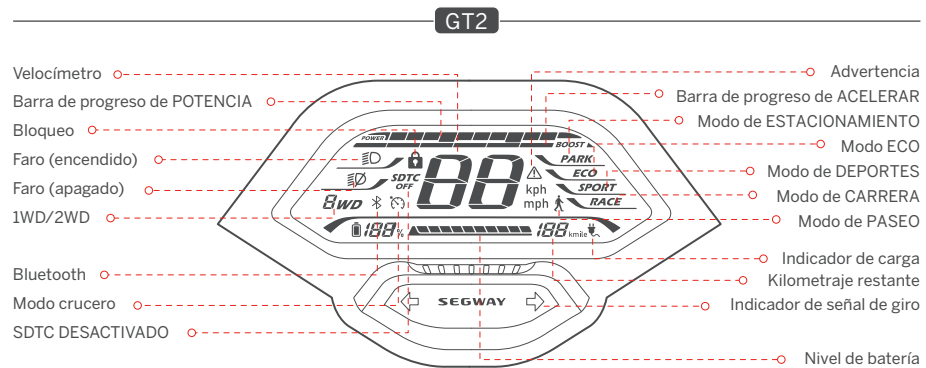
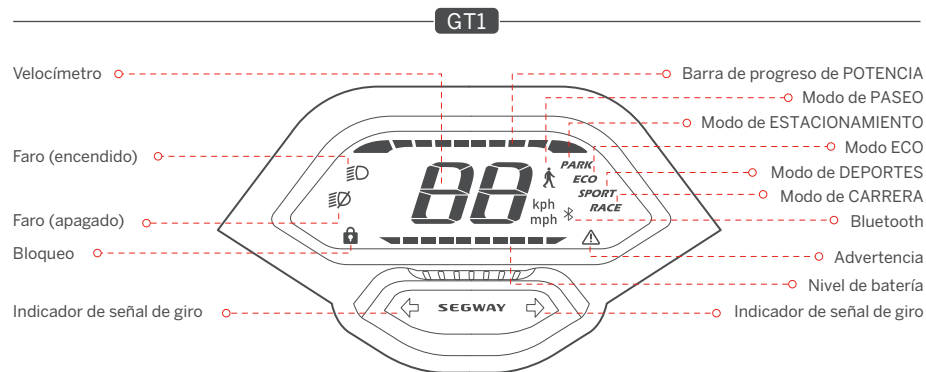


Funciones del manillar




Nombre	Función	Método de funcionamiento
Botón de encendido	Encender/Apagar	Pulse el botón de encendido para encender el patinete. Manténgalo pulsado para apagarlo. Nota: Solo disponible cuando el patinete no está bloqueado.
	Activar la pantalla	Pulse el botón de encendido para activar la pantalla cuando se atenúe automáticamente.
	Volver al modo de velocidad anterior (Solo para GT2)	Cuando el patinete pase automáticamente al modo de ESTACIONAMIENTO, pulse el botón de encendido para volver al modo de velocidad anterior.
	Confirmar la contraseña de Bluetooth	Mientras se conecta al patinete a través de la aplicación Segway-Ninebot, pulse el botón de encendido para confirmar la contraseña de Bluetooth.
Botón de control izquierdo	Encender/Apagar el faro	Gire el botón de control izquierdo a la derecha/izquierda para apagar/encender el faro.
	Activar/Desactivar el modo crucero (Solo para GT2)	Pulse el botón de control izquierdo para activar el modo crucero, y el patinete circulará a una velocidad constante. Pulse nuevamente para apagarlo.
	Cambiar entre 1WD y 2WD (Solo para GT2)	Cuando el patinete esté completamente parado, mantenga pulsado el botón de control izquierdo para cambiar entre 1WD y 2WD.
Botón de control derecho	Cambiar de modo	Gire a la derecha/izquierda para cambiar entre los modos de velocidad.
	Activar el modo de ACELERAR (Solo para GT2)	1) Presione el interruptor de control derecho para activar el modo BOOST. * Solo en modo de CARRERA. 2) Presione nuevamente o cambie el modo de velocidad para apagarlo.
Botón de control derecho	Cambiar al modo de PASEO	Para GT1: Cuando el vehículo esté totalmente parado, presione el botón de control derecho para cambiar al modo de PASEO. En este punto, vuelva a presionar el botón de control derecho para volver al modo de velocidad anterior. Para GT2: Cuando el vehículo esté totalmente parado, mantenga presionado el botón de control derecho para cambiar al modo de PASEO. En este punto, mantenga presionado el botón de control derecho nuevamente para volver al modo de velocidad anterior.
	Acelerador	Acelerar
Botón de señal de giro	Enciende/Apaga la señal izquierda/derecha	Pulse el lado izquierdo/derecho del botón de señal de giro, la señal de giro a la izquierda/derecha se apagará después de tres parpadeos. Mantenga pulsado el lado izquierdo/derecho del botón de señal de giro. La señal de giro a la izquierda/derecha seguirá parpadeando hasta que se suelte.
Bocina	Encienda la bocina	Presione el botón de la bocina, el vehículo emitirá un pitido.

Panel de control

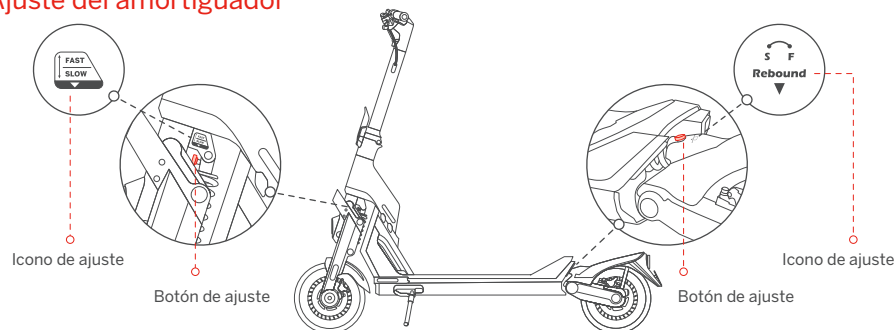


Símbolo	Nombre	Significado	Descripción
POWER	Barra de progreso de POTENCIA	El símbolo muestra la corriente de salida del motor del patinete.	
BB	Velocímetro	El símbolo muestra la velocidad actual del patinete.	
SDTC OFF	SDTC DESACTIVADO (GT2)	El símbolo indica que la función SDTC (Segway Dynamic Traction Control) está desactivada.	1) Con tracción en dos ruedas, la función SDTC se enciende automáticamente en modos diferentes al modo de CARRERA. Nota: Esta función ayuda a prevenir el deslizamiento de las ruedas y a mantener la estabilidad al acelerar. 2) Con tracción en una rueda, la función SDTC se apaga automáticamente en el modo de CARRERA.
	Modo crucero (GT2)	El símbolo indica que el modo crucero está activado.	1) En el modo ECO, de DEPORTES o de CARRERA, pulse el botón de control izquierdo para activar el modo crucero cuando la velocidad sea ≥ 5 km/h (3,1 mph). Una vez encendido, el patinete navegará a la velocidad actual. 2) Desactive el modo crucero con los siguientes métodos: Método 1: gire el acelerador o apriete las palancas de freno. Método 2: pulse el botón de control izquierdo. Método 3: cambie el modo de velocidad. ⚠ NO encienda el modo crucero en entornos complejos, mal tiempo o condiciones indeseables de la vía. Pueden producirse lesiones o peligros graves.
	Bloqueo	Cuando el icono se enciende, significa que el patinete está bloqueado.	Cuando el patinete esté bloqueado a través de la aplicación Segway-Ninebot: 1) La pantalla se oscurecerá en 3 segundos. En este punto, pulse el botón de encendido para activar la pantalla. 2) El patinete hará sonar la alarma con luces intermitentes cuando se mueva durante 3 segundos. 3) El patinete seguirá emitiendo un pitido cuando se mueva durante 10 segundos, y si se vuelve a mover en 60 segundos, el pitido no se detendrá. Cuando el patinete esté desbloqueado, se apagará automáticamente si no se realiza ninguna operación en 10 minutos. Nota: Habilite/Deshabilite esta función a través de la aplicación Segway-Ninebot.
BWD	1WD/2WD (GT2)	El icono 1WD indica que el patinete está en modo de tracción en una rueda. El icono 2WD indica que el patinete está en modo de tracción en dos ruedas.	
	Nivel de batería (GT2)	El símbolo muestra la carga restante de la batería en porcentaje de batería y barra de batería.	
	Nivel de batería (GT1)	El símbolo muestra la carga restante de la batería en la barra de la batería.	
BOOST	Barra de progreso de ACELERAR (GT2)	El símbolo muestra el tiempo de aceleración disponible restante del modo BOOST.	1) Presione el interruptor de control derecho para activar el modo BOOST. * Solo en modo de CARRERA. 2) Gira el acelerador para acelerar más rápido. 3) Presione el interruptor de control derecho nuevamente o cambie el modo de velocidad para apagarlo. ⚠ Cuando se activa el modo de ACELERAR, el vehículo acelerará más rápido. NO aplique esta función en entornos complejos, con mal tiempo o en condiciones indeseables de la carretera. Pueden producirse lesiones o peligros graves.
	Bluetooth	El símbolo indica que el patinete está conectado a la aplicación Segway-Ninebot.	
	Advertencia	El símbolo indica que el patinete ha detectado un error. El código de error se mostrará en el panel de control. Consulte la página 8 para conocer las posibles causas y soluciones.	
188 _{kmh}	Kilometraje restante	El símbolo muestra el kilometraje restante del patinete.	
	Indicador de carga	El símbolo indica que el patinete se está cargando.	

Introducción a los modos de velocidad

Modo/Modelo	GT1 (Límite de velocidad)	GT2 (Límite de velocidad)	Métodos de cambio
 (PASEO)	6 km/h (3,7 mph)	6 km/h (3,7 mph)	1) Cuando el vehículo esté completamente parado, gire el botón de control derecho. 2) Para GT1: presione el botón de control derecho. Para GT2: mantenga presionado el botón de control derecho.
PARK	0 km/h (0 mph)	0 km/h (0 mph)	1) Gire el botón de control derecho. 2) Para GT2: Cuando el patinete esté en modo ECO, de DEPORTES o de CARRERA, el patinete entrará automáticamente en el modo de ESTACIONAMIENTO en las siguientes circunstancias: Estacione o pare por más de 5 segundos después de conducir. Estacione o pare por más de 20 segundos cuando no esté conduciendo. * En este punto, pulse el botón de encendido para volver al modo anterior.
ECO	25 km/h (15,5mph)	40 km/h (24,9 mph)	Gire el botón de control derecho.
SPORT	25 km/h (15,5 mph)	70 km/h (43,5 mph)	Gire el botón de control derecho.
RACE	25 km/h (15,5 mph)	70 km/h (43,5 mph)	Gire el botón de control derecho.

Ajuste del amortiguador



S (rebote lento): aumente la resistencia al rebote girando el botón de ajuste a la derecha.

F (rebote rápido): disminuya la resistencia al rebote girando el botón de ajuste a la izquierda.

Nota: El amortiguador se establece en la posición predeterminada antes de salir de fábrica. Siga los pasos anteriores para ajustarlo de acuerdo con sus hábitos de conducción.

Especificaciones

	Elemento	Parámetro	
Producto	Nombre	Segway SuperScooter GT1	Segway SuperScooter GT2
	Modelo	GT1E	GT2P
	Largo × ancho × alto	Aprox. 1485 × 656 × 1308 mm (58,5 × 25,8 × 51,5 pulg.)	
	Plegado: Largo × ancho × alto	Aprox. 1485 × 656 × 860 mm (58,5 × 25,8 × 33,9 pulg.)	
Conductor	Peso neto	Aprox. 47,6 kg (105 lb)	Aprox. 52,6 kg (116 lb)
	Máx. carga útil	150 kg (331 lb)	
	Edad recomendada	De 14 a 60 años	
	Altura requerida	De 120 a 200 cm (de 3' 11" a 6' 6")	
Máquina	Distancia entre ejes	1147 mm (45,2 pulg.)	
	Distancia al suelo	140 mm (5,5 pulg.)	
	Sistema de conducción	1WD (tracción en una rueda)	2WD (tracción en dos ruedas)
	Máx. velocidad	Aprox. 25 km/h (15,5 mph)	Aprox. 70 km/h (43,5 mph)
	Rango teórico ^[1]	Aprox. 70 km (43,5 millas)	Aprox. 90 km (55,9 millas)
	Rango típico ^[2]	N/A	Aprox. 60 km (37,3 millas)
	Máx. pendiente	Aprox. 23 %	Aprox. 30%
	Terreno transitable	Pavimento de asfalto/plano; obstáculos <3 cm (1,2 pulg.); espacios <3 cm (1,2 pulg.)	
	Temperatura de funcionamiento	De -10 °C a 40 °C (de 14 °F a 104 °F)	
	Temperatura de almacenamiento	De -20 °C a 45 °C (de -4 °F a 113 °F)	
	Clasificación IP	IPX4	
	Duración de la carga (única) ^[3]	Aprox. 12 h	Aprox. 16 h
	Duración de la carga (doble) ^[3]	Aprox. 6 h	Aprox. 8 h
	Batería	Modelo	NDAF5020A
Voltaje nominal		50,4 V =	
Máx. voltaje de carga		58,8 V =	
Energía nominal		1008 Wh	1512 Wh
Capacidad nominal		20 Ah	30 Ah
Temperatura ambiente de carga		De 0 a 40 °C (de 32 a 104 °F)	
Sistema de gestión de la batería		Protección contra sobrecalentamiento, cortocircuito, sobrecorriente, sobredescarga y sobrecarga	
Motor	Tipo de motor	Motor de rueda refrigerado por aire	
	Corriente nominal	0,5 kW, 500 W	1,5 kW × 2, 1500 W × 2
	Máx. potencia	1,5 kW, 1500 W	3 kW × 2, 3000 W × 2

	Elemento	Parámetro
Cargador	Modelo	NBW58D802DOD
	Voltaje de entrada	De 100 a 240 V~
	Máx. voltaje de salida	58,8 V =
	Corriente de salida	0,1 kW, 115,6 W
	Salida nominal	57,8 V, =, 2,0 A
Neumático	Tipo	Neumáticos sin cámara autosellantes de 11 pulgadas
	Presión de los neumáticos	32 psi
	Material	Caucho
Otros	Modos de velocidad	Modo de PASEO, modo de ESTACIONAMIENTO, modo ECO, modo de DEPORTES y modo de CARRERA
	Sistema de suspensión	Suspensión delantera y trasera
		Amortiguador ajustable delantero y trasero
	Sistema de frenos	Freno de disco delantero y freno de disco trasero
Bluetooth	Bandas de frecuencia	2.4000~2.4835 GHz
	Potencia de RF máxima	20 mW

[1]: Rango teórico: probado mientras se conduce con la batería llena, 75 kg (165 lb) de carga, 25 °C (77 °F), a una velocidad de 20 km/h (12,4 mph) de promedio sobre pavimento.

[2]: Rango típico: probado mientras se conduce con la batería llena, 75 kg (165 lb) de carga, 25 °C (77 °F), a una velocidad de 40 km/h (24,9 mph) de promedio sobre pavimento.

* Algunos de los factores que afectan al rango incluyen: velocidad, número de arranques y paradas, temperatura ambiente, etc.

[3]: Carga única: corriente de entrada nominal de hasta 2 amperios cuando se carga con un solo cargador.

Carga dual: corriente de entrada nominal de hasta 4 amperios cuando se carga con dos cargadores especificados por el fabricante.

Fallos y soluciones habituales

Código de error	Posibles causas	Solución
0	Anormalidad del acelerador	Póngase en contacto con el servicio posventa o un distribuidor autorizado.
1	Fallo de comunicación del panel de control	
2	Fallo de comunicación de la batería	
3	Anormalidad de las señales de giro	
4	Anormalidad de faro	
5	Detección de agua en la parte superior del eje	
6	Protección contra sobretensión del controlador del motor	Intente cargar el patinete.
7	Protección contra baja tensión del controlador del motor/batería	
8	Temperatura alta del patinete	Intente aplicar disipación de calor al patinete.
9	Temperatura alta de la batería	Intente aplicar disipación de calor al patinete.
10	Temperatura baja de la batería	Intente calentar el patinete.
11	Temperatura alta de la rueda motriz delantera	Intente aplicar disipación de calor para la rueda motriz delantera.
12	Parada de la rueda motriz delantera	Reinicie el patinete y vuelva a intentarlo.
13	Error del sensor de corriente de la rueda motriz delantera	Póngase en contacto con el servicio posventa o un distribuidor autorizado.
14	Sobrecorriente en la rueda motriz delantera	Reinicie el patinete y vuelva a intentarlo.
15	Fallo de fase del motor de la rueda motriz delantera	Póngase en contacto con el servicio posventa o un distribuidor autorizado.
16	Temperatura alta de la rueda motriz trasera	Intente aplicar disipación de calor a la rueda motriz trasera.
17	Parada de la rueda motriz trasera	Reinicie el patinete y vuelva a intentarlo.
18	Error del sensor de corriente de la rueda motriz trasera	Póngase en contacto con el servicio posventa o un distribuidor autorizado.
19	Sobrecorriente en la rueda motriz trasera	Reinicie el patinete y vuelva a intentarlo.
20	Fallo de fase del motor de la rueda motriz trasera	Póngase en contacto con el servicio posventa o un distribuidor autorizado.
21	Error del sensor de pasillo del motor trasero	
22	Error del sensor de pasillo del motor delantero	

4 Homologaciones

Este producto cumple con las normativas ANSI/CAN/UL-2272 de la CSA Group.

El batería cumple con la normativa UN/DOT 38.3.

El batería cumple con la normativa ANSI/CAN/UL-2271.

Declaración de cumplimiento de la Unión Europea

Información sobre la eliminación para usuarios de equipos eléctricos y electrónicos de desecho



Este símbolo en el producto o en su embalaje indica que los productos eléctricos y electrónicos usados no deben mezclarse con residuos municipales sin clasificar. Para un tratamiento adecuado, es su responsabilidad deshacerse de su equipo de desecho devolviéndolo a los puntos de recogida designados.

La eliminación correcta de este producto ayudará a ahorrar recursos valiosos y evitará cualquier posible efecto negativo en la salud humana y el medio ambiente, que de otro modo podría derivarse de un manejo inadecuado de los desechos.

Pueden aplicarse sanciones por la eliminación incorrecta de estos residuos, de acuerdo con su legislación nacional.

Comuníquese con su autoridad local para obtener más detalles sobre el punto de recolección designado más cercano.

Información de reciclaje de baterías para usuarios



Este símbolo significa que las pilas y acumuladores, al final de su vida útil, no deben mezclarse con residuos municipales sin clasificar. Su participación es una parte importante del esfuerzo para minimizar el impacto de las pilas y acumuladores en el medio ambiente y en la salud humana. Para un reciclaje adecuado puede devolver este producto o las pilas o acumuladores que contiene a su proveedor o a un punto de recogida designado.

La eliminación correcta de este producto ayudará a ahorrar recursos valiosos y evitará cualquier posible efecto negativo en la salud humana y el medio ambiente, que de otro modo podría derivarse de un manejo inadecuado de los desechos.

Pueden aplicarse sanciones por la eliminación incorrecta de estos residuos, de acuerdo con su legislación nacional.

Existen sistemas de recogida selectiva de pilas y acumuladores usados.

Por favor, deshágase de las baterías y acumuladores correctamente en el centro de recolección/reciclaje de residuos de su comunidad local central.

Directiva de equipos de radio

Ninebot (Changzhou) Tech Co., Ltd. declara por la presente que el producto enumerado en esta sección cumple con los requisitos esenciales y otras disposiciones relevantes de la Directiva de equipos de radio 2014/53/UE.

Restricción del uso de ciertas sustancias peligrosas (RoHS) Directiva

Ninebot (Changzhou) Tech Co., Ltd. declara por la presente que todo el producto, incluidas las piezas (cables, cordones, etc.), cumple con los requisitos de la Directiva RoHS 2011/65/UE y la enmienda de la Directiva Delegada (UE) 2015/863 de la Comisión sobre la restricción del uso de ciertas sustancias peligrosas en equipos eléctricos y electrónicos ("RoHS refundido" o "RoHS 2.0").

Directiva de maquinaria

Ninebot (Changzhou) Tech Co., Ltd. declara por la presente que el producto enumerado en esta sección cumple con los requisitos esenciales y otras disposiciones relevantes de la Directiva de Maquinaria 2006/42/EC.



Representante autorizado:

Segway-Ninebot EMEA, Dynamostraat 7, 1014 BN

Amsterdam, The Netherlands

Ninebot (Changzhou) Tech Co., Ltd. niniejszym oświadcza, że model produktu: GT1E, GT2P jest zgodny z zasadniczymi wymaganiami i innymi stosownymi postanowieniami dyrektywy w sprawie urządzeń radiowych 2014/53/UE, dyrektywy maszynowej 2006/42/WE oraz dyrektywy RoHS 2011/65/UE i zmiana Dyrektywa delegowana Komisji (UE) 2015/863. Deklarację zgodności można zobaczyć pod następującym adresem: <http://eu-en.segway.com/support-instructions>

Marca comercial

Segway, Segway GT, Segway-Ninebot y Rider Design son marcas comerciales de Segway Inc.; Android es una marca comercial de Google Inc.; App Store es una marca de servicio de Apple Inc. Los respectivos propietarios se reservan los derechos de sus marcas comerciales y derechos de autor, etc. a los que se hace referencia en este manual.

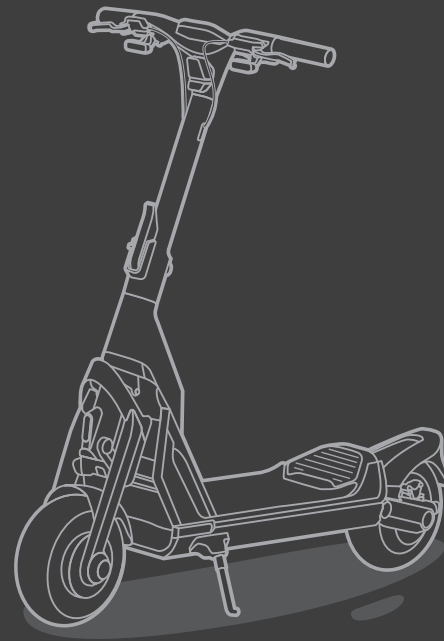
Hemos intentado incluir descripciones e instrucciones de todas las funciones del SuperScooter en el momento de la impresión. Sin embargo, debido a la mejora constante de las funciones del producto y a los cambios en el diseño, es posible que su SuperScooter presente ligeras diferencias respecto al que se muestra en este documento. Visite Apple App Store (iOS) o Google Play Store (Android) para descargar e instalar la aplicación Segway-Ninebot. Tenga en cuenta que disponemos de varios modelos de Segway y Ninebot con diferentes funciones, y algunas de las funciones mencionadas en este documento puede no tenerlas su unidad. El fabricante se reserva el derecho a modificar el diseño y las funciones del producto SuperScooter y la documentación sin previo aviso.

© 2022 Ninebot (Beijing) Tech Co. Ltd. Todos los derechos reservados.

(※La aplicación Segway-Ninebot es compatible con SuperScooter con Bluetooth integrado)



Escanee el código QR para descargar la aplicación Segway-Ninebot



El fabricante se reserva el derecho a realizar cambios en el producto, actualizaciones del firmware y modificaciones de este manual en cualquier momento.

Visita www.segway.com o revisa la app para descargar los materiales de usuario más recientes. Debes instalar la aplicación Segway-Ninebot, activar tu KickScooter y obtener las actualizaciones e instrucciones de seguridad más recientes.

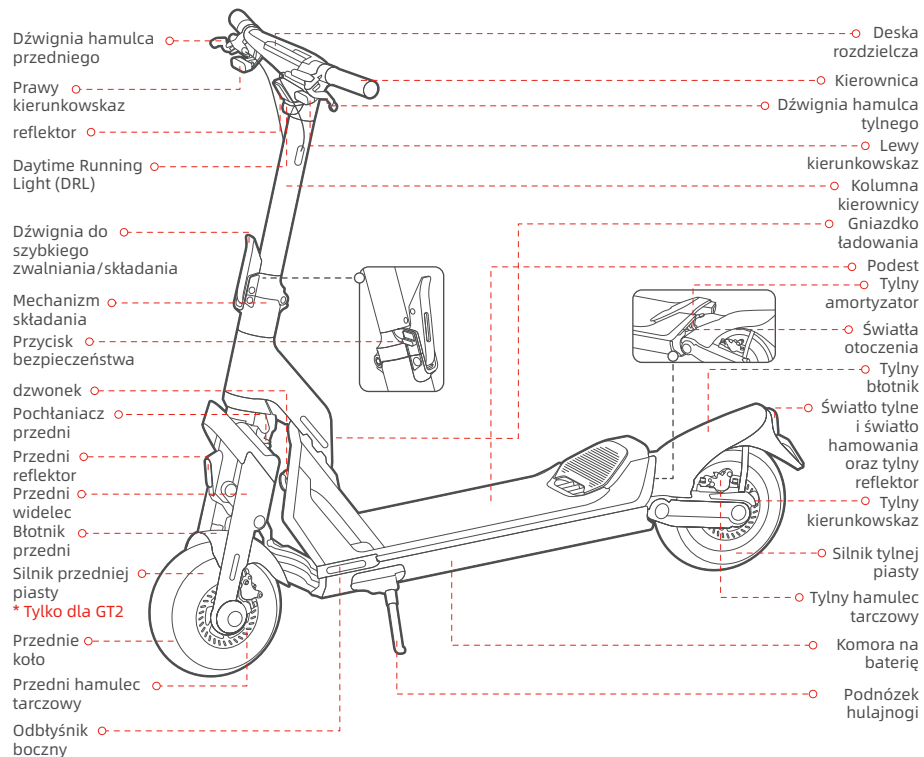
La imagen es solo de referencia. Remítase al producto en sí para ver más detalles.

SEGWAY *GT*

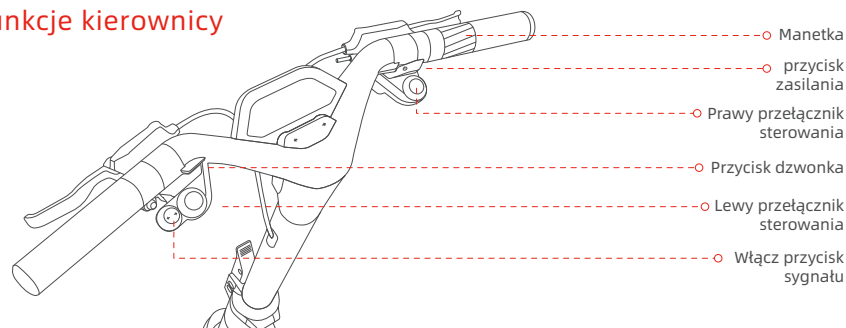
Instrukcja obsługi

Tłumaczenie oryginalnego powiadomienia

Schemat



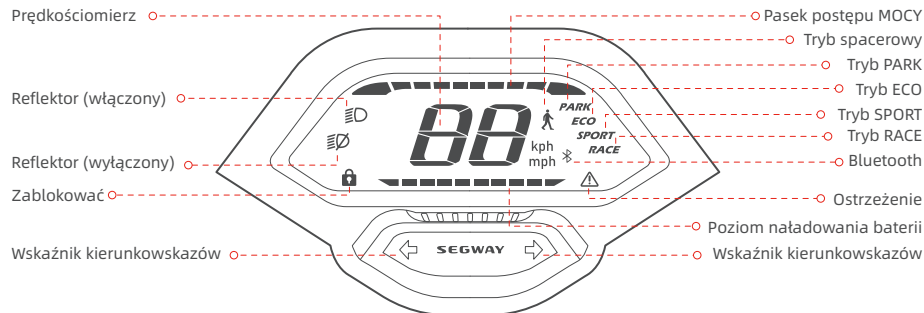
Funkcje kierownicy



Imię	Funkcjonować	Metoda operacji
przycisk zasilania	Zasilanie włącz / wyłącz	Naciśnij przycisk zasilania, aby wyłączyć hulajnogę. Naciśnij i przytrzymaj, aby go wyłączyć. Uwaga: dostępne tylko wtedy, gdy hulajnoga nie jest zablokowana.
	Obudź ekran	Naciśnij przycisk zasilania, aby wybudzić ekran, gdy ekran zostanie automatycznie przyciemniony.
	Powrót do poprzedniego trybu prędkości (tylko dla GT2)	Gdy hulajnoga automatycznie przejdzie w tryb PARK, naciśnij przycisk zasilania, aby wrócić do poprzedniego trybu prędkości.
Lewy przełącznik sterowania	Potwierdź hasło Bluetooth	Podczas łączenia się ze skuterem za pośrednictwem aplikacji Segway-Ninebot, naciśnij przycisk zasilania, aby potwierdzić hasło Bluetooth.
	Włącz/wyłącz reflektor	Obróć lewy przełącznik sterowania zgodnie z ruchem wskazówek zegara/przeciwnie do ruchu wskazówek zegara, aby wyłączyć/włączyć reflektor.
	Włącz/wyłącz tryb rejsu (tylko dla GT2)	Naciśnij lewy przełącznik sterujący, aby włączyć tryb tempomatu, a skuter będzie jechał ze stałą prędkością. Naciśnij ponownie, aby go wyłączyć.
Prawy przełącznik sterowania	Przełączanie między 1WD i 2WD (tylko dla GT2)	Gdy hulajnoga całkowicie się zatrzyma, naciśnij i przytrzymaj lewy przełącznik sterowania, aby przełączyć między trybem 1WD i 2WD.
	Przełączanie trybu	Obróć zgodnie z ruchem wskazówek zegara/przeciwnie do ruchu wskazówek zegara, aby przełączyć się między trybami prędkości.
	Aktywuj tryb BOOST (tylko dla GT2)	1) Naciśnij prawy przełącznik sterowania, aby aktywować tryb BOOST. * Tylko w trybie WYŚCIG. 2) Naciśnij ponownie lub przełącz tryb prędkości, aby go wyłączyć.
Przełącz na tryb WALK	Przełącz na tryb WALK	W przypadku GT1: Gdy hulajnoga całkowicie się zatrzyma, naciśnij prawy przełącznik sterowania, aby przejść do trybu CHODZENIA. W tym momencie ponownie naciśnij prawy przełącznik sterowania, aby wrócić do poprzedniego trybu prędkości. W przypadku GT2: Gdy hulajnoga całkowicie się zatrzyma, naciśnij i przytrzymaj prawy przełącznik sterowania, aby przejść do trybu CHODZENIA. W tym momencie ponownie naciśnij i przytrzymaj prawy przełącznik sterowania, aby wrócić do poprzedniego trybu prędkości.
	Manetka	Przyspieszyć
Włącz przycisk sygnału	Włącz/wyłącz lewą/prawą stronę sygnał	Naciśnij lewą/prawą stronę przycisku kierunkowskazu, lewy/prawy kierunkowskaz wyłączy się po trzech mignięciach. naciśnij i przytrzymaj lewą/prawą stronę przycisku kierunkowskazu, lewy/prawy kierunkowskaz będzie migał, aż jest uwalniany.
Przycisk dzwonka	Włącz dzwonek	Naciśnij przycisk dzwonka, hulajnoga wyda jeden sygnał dźwiękowy.

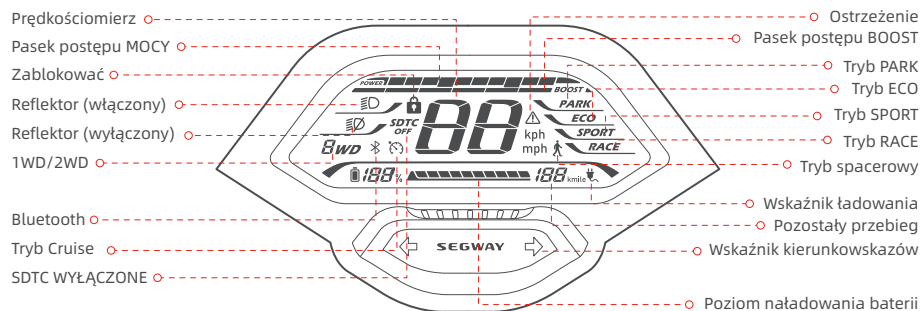
Deska rozdzielcza

GT1



- Prędkościomierz ○
- Pasek postępu MOCY ○
- Tryb spacerowy ○
- Tryb PARK ○
- Tryb ECO ○
- Tryb SPORT ○
- Tryb RACE ○
- Reflektor (włączony) ○
- Reflektor (wyłączony) ○
- Zablokować ○
- Ostrzeżenie ○
- Poziom naładowania baterii ○
- Wskaźnik kierunkowskazów ○
- Bluetooth ○
- Ostrzeżenie ○
- Poziom naładowania baterii ○
- Wskaźnik kierunkowskazów ○


GT2



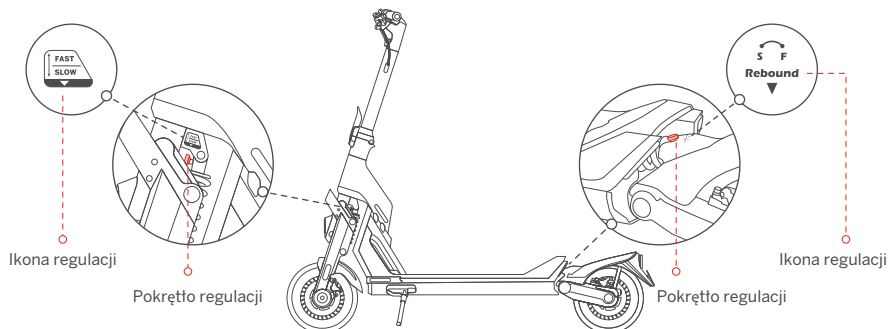
- Prędkościomierz ○
- Pasek postępu MOCY ○
- Zablokować ○
- Reflektor (włączony) ○
- Reflektor (wyłączony) ○
- 1WD/2WD ○
- Bluetooth ○
- Tryb Cruise ○
- SDTC WYŁĄCZONE ○
- Ostrzeżenie ○
- Pasek postępu BOOST ○
- Tryb PARK ○
- Tryb ECO ○
- Tryb SPORT ○
- Tryb RACE ○
- Tryb spacerowy ○
- Wskaźnik ładowania ○
- Pozostały przebieg ○
- Wskaźnik kierunkowskazów ○
- Poziom naładowania baterii ○

Symbol	Imię	Oznaczający	Opis
POWER	Pasek postępu MOCY	Symbol wyświetla moc wyjściową silnika skutera.	
BB	Prędkościomierz	Symbol wyświetla aktualną prędkość hulajnogi.	
SDTC OFF	SDTC WYŁĄCZONE (GT2)	Symbol wskazuje, że funkcja SDTC (Segway Dynamic Traction Control) jest wyłączona.	1) W przypadku napędu na dwa koła funkcja SDTC włącza się automatycznie w trybach innych niż RACE. Uwaga: ta funkcja pomaga zapobiegać poślizgowi kół i zachować stabilność, gdy przyspieszenie. 2) W przypadku napędu na jedno koło funkcja SDTC wyłącza się automatycznie w trybie WYŚCIGÓW.
	Tryb Cruise (GT2)	Symbol wskazuje, że tryb Cruise jest włączony.	Gdy hulajnoga jest zablokowana za pomocą aplikacji Segway-Ninebot: 1) Ekran zgaśnie za 3 sekundy, w tym momencie naciśnij przycisk zasilania, aby wybudzić ekran. 2) Hulajnoga uruchomi alarm z migającymi światłami, gdy będzie poruszana przez 3 sekundy. 3) Hulajnoga będzie emitować sygnał dźwiękowy, gdy zostanie poruszona przez 10 sekund, a jeśli hulajnoga zostanie ponownie poruszona w ciągu 60 sekund, sygnał dźwiękowy nie zostanie przenwany. ⚠ Gdy hulajnoga jest odblokowana, wyłączy się automatycznie, jeśli w ciągu 10 minut nie będzie żadnej operacji. Uwaga: włącz/wyłącz tę funkcję za pomocą aplikacji Segway-Ninebot.
	Zablokować	Zaświecenie się ikony oznacza, że hulajnoga jest zablokowana.	1) W trybie ECO, SPORT lub RACE naciśnij lewy przełącznik sterujący, aby włączyć tryb tempomatu, gdy prędkość 3,1 mph (5 km/h). Po włączeniu skuter będzie jechał z aktualną prędkością. 2) Wyłącz tryb rejsu następującymi sposobami: Metoda 1: Przekręć przepustnicę lub ściśnij dźwignie hamulca. Metoda 2: Naciśnij lewy przełącznik sterowania. Metoda 3: Przełącz tryb prędkości. NIE włączaj trybu rejsu w skomplikowanych warunkach, złej pogodzie lub niepożądanych warunkach drogowych. Może wystąpić poważne niebezpieczeństwo lub obrażenia.
BWD	1WD/2WD (GT2)	Ikona 1WD wskazuje, że hulajnoga jest w trybie napędu na jedno koło. Ikona 2WD wskazuje, że hulajnoga jest w trybie napędu na dwa koła.	
	Poziom naładowania baterii (GT2)	Symbol wyświetla pozostałą moc baterii w procentach baterii i na pasku baterii.	
	Poziom naładowania baterii (GT1)	Symbol wyświetla pozostałą moc baterii na pasku baterii.	
BOOST	Pasek postępu BOOST (GT2)	Symbol wyświetla pozostały dostępny czas przyspieszenia trybu BOOST.	1) Naciśnij prawy przełącznik sterowania, aby aktywować tryb BOOST. * Tylko w trybie RACE. 2) Przekręć przepustnicę, aby przyspieszyć. 3) Naciśnij ponownie prawy przełącznik sterowania lub przełącz tryb prędkości, aby go wyłączyć. ⚠ Gdy włączony jest tryb BOOST, hulajnoga przyspiesza szybciej. NIE WOLNO stosować tej funkcji w skomplikowanych środowiskach, złej pogodzie lub niepożądanych warunkach drogowych. Może wystąpić poważne niebezpieczeństwo lub obrażenia.
	Bluetooth	Symbol wskazuje, że hulajnoga jest połączona z aplikacją Segway-Ninebot.	
	Ostrzeżenie	Symbol wskazuje, że hulajnoga wykryła błąd. Kod błędu zostanie wyświetlony na desce rozdzielczej. Na stronie 8 znajdują się możliwe przyczyny i rozwiązania.	
188 _{umie}	Pozostały przebieg	Symbol wyświetla pozostały przebieg skutera.	
	Wskaźnik ładowania	Symbol wskazuje, że skuter się ładuje.	

Wprowadzenie do trybów prędkości

Tryb/model	GT1 (Ograniczenie prędkości)	GT2 (Ograniczenie prędkości)	Metody przełączania
 (spacerowy)	3.7 mph (6 km/h)	3.7 mph (6 km/h)	1) Gdy hulajnoga całkowicie się zatrzyma, obróć prawy przełącznik sterowania. 2) W przypadku GT1: naciśnij prawy przełącznik sterowania. W przypadku GT2: naciśnij i przytrzymaj prawy przełącznik sterowania. Uwaga: w tym trybie lekko przekręć przepustnicę, aby chodzić z hulajnogą z małą prędkością.
PARK	0 mph (0 km/h)	0 mph (0 km/h)	1) Obróć prawy przełącznik sterowania. 2) W przypadku GT2: Gdy skuter jest w trybie ECO, SPORT lub RACE, automatycznie wejdzie Tryb PARKOWY w następujących okolicznościach: Zaparkuj lub zatrzymaj się na ponad 5 sekund po jeździe. Zaparkuj lub zatrzymaj się na ponad 20 sekund, gdy nie jeździsz. * W tym momencie naciśnij przycisk zasilania, aby wrócić do poprzedniego trybu.
ECO	15.5 mph (25 km/h)	24.9 mph (40 km/h)	Obróć prawy przełącznik sterowania.
SPORT	15.5 mph (25 km/h)	43.5 mph (70 km/h)	Obróć prawy przełącznik sterowania.
RACE	15.5 mph (25 km/h)	43.5 mph (70 km/h)	Obróć prawy przełącznik sterowania.

Regulacja przepustnicy



S (powolne odbicie): Zwiększ opór odbicia, obracając pokrętko regulacyjne zgodnie z ruchem wskazówek zegara.

F (szybkie odbicie): Zmniejsz opór odbicia, obracając pokrętko regulacyjne w kierunku przeciwnym do ruchu wskazówek zegara.

Uwaga: Przepustnica jest ustawiona w domyślnej pozycji przed opuszczeniem fabryki. Wykonaj powyższe kroki, aby dostosować go do swoich nawyków jazdy.

Charakterystyka

	Poz	Parametr		
Produkt	Imię	Segway SuperScooter GT1	Segway SuperScooter GT2	
	Model	GT1E	GT2P	
	dł. x szer. x wys.	Okolo 1485 × 656 × 1308 mm (58.5 × 25.8 × 51.5 inch)		
Użytkownik	Złożony: dł. x szer. x wys.	Okolo 1485 × 656 × 860 mm (58.5 × 25.8 × 33.9 inch)		
	Masa netto	Okolo 476 kg (105 lbs)	Okolo 52.6 kg (116 lbs)	
	Ładowność	150 kg (331 lbs)		
	Zalecany wiek	14-60 lat		
Parametry urządzenia	Wymagany wzrost	120-200 cm (3'11"-6'6")		
	Rozstaw osi	1147 mm		
	Prześwit	140 mm		
	Układ napędowy	1WD (napęd na jedno koło)	2WD (napęd na dwa koła)	
	Prędkość max.	Okolo 15.5 mph (25 km/h)	Okolo 43.5 mph (70 km/h)	
	Zasięg teoretyczny ^[1]	Okolo 43.5 miles (70 km)	Okolo 55.9 miles (90 km)	
	Typowy zasięg ^[2]	N/A	Okolo 37.3 miles (60 km)	
	Max. nachylenie	Okolo 23%	Okolo 30%	
	Możliwość jazdy po	Asfalcie/ płaskim chodniku; przeszkody < 1 cm (0,4 in); szczeliny < 3 cm (1,2 in)		
	Temperatura robocza	od -10°C do 40°C (od 14°F do 104°F)		
	Temperatura przechowywania	od -20°C do 45°C (od -4°F do 113°F)		
	Klasa ochrony	IPX4		
	Czas trwania ładowania (pojedyncze) ^[3]	Okolo 12 h	Okolo 16 h	
	Czas ładowania (podwójny) ^[3]	Okolo 6 h	Okolo 8 h	
	Akumulator	Model	NDAF5020A	NDAF5030A
Napięcie znamionowe		50.4 V		
Max. napięcie ładowania		58.8 V		
Energia nominalna		1008 Wh	1512 Wh	
Pojemność znamionowa		20 Ah	30 Ah	
Temperatura otoczenia ładowania		od 0°C do 40°C (od 32°F do 104°F)		
System zarządzania baterią		Ochrona przed przegrzaniem, zwarciem, przeciążeniem, nadmiernym rozładowaniem i przeładowaniem		
Silnik	Typ silnika	Silnik płasty chłodzony powietrzem		
	Moc znamionowa	0.5 kW, 500 W	1.5 kW*2, 1500 W*2	
	Maks. Moc	1.5 kW, 1500 W	3 kW*2, 3000 W*2	

	Poz	Parametr
Ładowarka	Model	NBW58D802D0D
	Napięcie wejściowe	100-240 V~
	Maks. napięcie wyjściowe	58.8 V $\overline{=}$
	Moc wyjściowa	0.1 kW, 115.6 W
	Wyjście znamionowe	57.8 V $\overline{=}$ 2.0 A
Opona	Opony	11-calowe samouszczelniające opony bezdętkowe
	Ciśnienie w oponach	32 psi
	Materiał	Guma
Inni	Tryb prędkości	Tryb spacerowy, Tryb PARK, Tryb ECO, Tryb SPORT, Tryb RACE
	Zawieszenie	Zawieszenie resorowe przednie i tylne
		Regulowany amortyzator przedni i tylny
	Hamulec	Hamulce tarczowe przednie i tylne
Bluetooth	Pasma częstotliwości	2.4000-2.4835 GHz
	Moc emisji RF	20 mW

[1] Zasięg teoretyczny: testowany podczas jazdy z pełnym akumulatorem, obciążenie 75 kg (165 funtów), 25°C (77°F), przy średniej prędkości 20 km/h na chodniku.

[2] Typowy zasięg: testowany podczas jazdy z pełnym akumulatorem, obciążenie 75 kg (165 funtów), 25°C (77°F), przy średniej prędkości 40 km/h na chodniku.

* Niektóre czynniki, wpływające na zasięg to: prędkość, liczba uruchomień i zatrzymań urządzenia, temperatura otoczenia itp.

[3]: Pojedyncze ładowanie: znamionowy prąd wejściowy do 2 A przy ładowaniu jedną ładowarką.

Podwójne ładowanie: znamionowy prąd wejściowy do 4 A przy ładowaniu za pomocą dwóch ładowarek określonych przez producenta.

Typowe awarie i rozwiązania

Kod błędu	Możliwe przyczyny	Rozwiązanie
0	Nieprawidłowość przepustnicy	Prosimy o kontakt z serwisem posprzedażnym lub autoryzowanym sprzedawcą.
1	Błąd komunikacji pulpitu nawigacyjnego	
2	Awaria komunikacji baterii	
3	Nieprawidłowe kierunkowskazy	
4	Nieprawidłowość reflektorów	
5	Wykrywanie wody w górnej części łodygi	
6	Zabezpieczenie przeciwprzepięciowe sterownika silnika	Spróbuj naładować skuter.
7	Zabezpieczenie podnapięciowe akumulatora/sterownika silnika	
8	Wysoka temperatura skutera	Spróbuj zastosować rozpraszanie ciepła w skuterze.
9	Wysoka temperatura baterii	Spróbuj zastosować rozpraszanie ciepła w skuterze.
10	Niska temperatura baterii	Spróbuj rozgrzać hulajnogę.
11	Wysoka temperatura przedniego koła napędowego	Spróbuj zastosować rozpraszanie ciepła dla przedniego koła napędowego.
12	Przeciągnięcie przedniego koła napędowego	Uruchom ponownie hulajnogę i spróbuj ponownie.
13	Błąd czujnika prądu przedniego koła napędowego	Prosimy o kontakt z serwisem posprzedażnym lub autoryzowanym sprzedawcą.
14	Nadmierny prąd przedniego koła napędowego	Uruchom ponownie hulajnogę i spróbuj ponownie.
15	Awaria fazy silnika przedniego koła napędowego	Prosimy o kontakt z serwisem posprzedażnym lub autoryzowanym sprzedawcą.
16	Wysoka temperatura tylnego koła napędowego	Spróbuj zastosować rozpraszanie ciepła dla przedniego koła napędowego.
17	Przeciągnięcie tylnego koła napędowego	Uruchom ponownie hulajnogę i spróbuj ponownie.
18	Błąd czujnika prądu tylnego koła napędowego	Prosimy o kontakt z serwisem posprzedażnym lub autoryzowanym sprzedawcą.
19	Przetężenie tylnego koła napędowego	Uruchom ponownie hulajnogę i spróbuj ponownie.
20	Awaria fazy silnika tylnego koła napędowego	Prosimy o kontakt z serwisem posprzedażnym lub autoryzowanym sprzedawcą.
21	Błąd czujnika Halla tylnego silnika	
22	Błąd przedniego czujnika Halla silnika	

Atesty

Ten produkt posiada certyfikat ANSI/CAN/UL-2272 CSA Group.

Bateria jest zgodna z UN/DOT 38.3.

Bateria jest zgodna z ANSI/CAN/UL-2271.

Oświadczenie o zgodności z przepisami Unii Europejskiej

Informacje o usuwaniu dla użytkowników zużytego sprzętu elektrycznego i elektronicznego



Ten symbol na produkcie lub jego opakowaniu oznacza, że zużytych produktów elektrycznych i elektronicznych nie należy mieszać z niesortowanymi odpadami komunalnymi. Aby zapewnić prawidłowe przetwarzanie, użytkownik jest odpowiedzialny za pozbycie się zużytego sprzętu poprzez zorganizowanie jego zwrotu do wyznaczonych punktów zbiórki.

Właściwa utylizacja tego produktu pomoże zaoszczędzić cenne zasoby i zapobiec wszelkim potencjalnym negatywnym skutkom dla zdrowia ludzkiego i środowiska, które w przeciwnym razie mogłyby wynikać z niewłaściwego postępowania z odpadami.

Za nieprawidłową utylizację tych odpadów mogą zostać nałożone kary, zgodnie z krajowymi przepisami.

Prosimy o kontakt z lokalnymi władzami w celu uzyskania dalszych informacji o najbliższym wyznaczonym punkcie zbiórki.

Informacje dotyczące recyklingu baterii dla użytkowników



Ten symbol oznacza, że baterie i akumulatory po zużyciu nie powinny być mieszane z niesortowanymi odpadami komunalnymi. Twój udział jest ważną częścią wysiłków na rzecz zminimalizowania wpływu baterii i akumulatorów na środowisko i zdrowie ludzi w celu prawidłowego recyklingu możesz zwrócić ten produkt lub baterie lub akumulatory, które zawiera, do dostawcy lub do wyznaczonego punktu zbiórki.

Właściwa utylizacja tego produktu pomoże zaoszczędzić cenne zasoby i zapobiec wszelkim potencjalnym negatywnym skutkom dla zdrowia ludzkiego i środowiska, które w przeciwnym razie mogłyby wynikać z niewłaściwego postępowania z odpadami.

Za nieprawidłową utylizację tych odpadów mogą zostać nałożone kary, zgodnie z krajowymi przepisami.

istnieją oddzielne systemy zbiórki zużytych baterii i akumulatorów.

Prosimy o prawidłową utylizację baterii i akumulatorów w lokalnej zbiórce/recyklingu odpadów środek.

Dyrektywa w sprawie urządzeń radiowych

Ninebot (Changzhou) Tech Co., Ltd. niniejszym oświadcza, że produkt wymieniony w tej sekcji jest zgodny z podstawowymi wymaganiami i innymi stosownymi postanowieniami dyrektywy w sprawie urządzeń radiowych 2014/53/UE.

Dyrektywa w sprawie ograniczeń w stosowaniu niektórych substancji niebezpiecznych (RoHS)

Ninebot (Changzhou) Tech Co., Ltd. niniejszym oświadcza, że cały produkt, w tym części (kable, przewody itp.) spełnia wymagania dyrektywy RoHS 2011/65/UE i zmiany dyrektywy delegowanej Komisji (UE) 2015/863 w sprawie ograniczenie stosowania niektórych niebezpiecznych substancji w sprzęcie elektrycznym i elektronicznym („RoHS przekształcenie” lub „RoHS 2.0”).

Dyrektywa maszynowa

Ninebot (Changzhou) Tech Co., Ltd. niniejszym oświadcza, że produkt wymieniony w tej sekcji jest zgodny z zasadniczymi wymaganiami i innymi stosownymi postanowieniami dyrektywy maszynowej 2006/42/WE.



Upoważniony przedstawiciel:

Segway-Ninebot EMEA, Dynamostraat 7, 1014 BN

Amsterdam, The Netherlands

Ninebot (Changzhou) Tech Co., Ltd. niniejszym oświadcza, że model produktu: GT1E, GT2P jest zgodny z zasadniczymi wymaganiami i innymi stosownymi postanowieniami dyrektywy w sprawie urządzeń radiowych 2014/53/UE, oraz dyrektywy RoHS 2011/65/UE i zmiana Dyrektywa delegowana Komisji (UE) 2015/863.

Deklarację zgodności można zobaczyć pod następującym adresem: <http://eu-en.segway.com/support-instructions>

Znak towarowy

Segway, Segway GT, Segway-Ninebot i Rider Design są znakami towarowymi firmy Segway Inc.; Android jest znakiem towarowym firmy Google Inc., App Store jest znakiem usługowym firmy Apple Inc. Odpowiedni właściciele zastrzegają sobie prawa do swoich znaków towarowych i praw autorskich itp., o których mowa w niniejszej instrukcji.

W momencie drukowania staraliśmy się zawrzeć opisy i instrukcje dotyczące wszystkich funkcji SuperScootera. Jednak ze względu na ciągłe ulepszanie funkcji produktu i zmiany projektu, Twój SuperScooter może nieznacznie różnić się od przedstawionego w tym dokumencie. Zeskanuj kod QR na okładce tej instrukcji lub odwiedź Apple App Store (iOS) lub Google Play Store (Android), aby pobrać i zainstalować aplikację Segway-Ninebot. Należy pamiętać, że istnieje wiele modeli Segway i Ninebot z różnymi funkcjami, a niektóre z wymienionych tutaj funkcji mogą nie mieć zastosowania do Twojego urządzenia. Producent zastrzega sobie prawo do zmiany projektu i funkcjonalności produktu SuperScooter oraz dokumentacji bez wcześniejszego powiadomienia.

© 2022 Ninebot (Beijing) Tech Co. Ltd. Wszelkie prawa zastrzeżone.

(※ Aplikacja Segway-Ninebot może obsługiwać SuperScooter z wbudowanym Bluetooth)